

Power

SPI-RF

Service Power Interface with RF Connection



- Single network interconnect for power and DOCSIS RF monitoring signals
- RF attenuation control with SXP Pad
- -110 dBC EMI shielded cast aluminum package
- AC test points
- “ALT/ON” switch for Service Power Supply
- Amp-clamp and Metal-oxide varistor (MOV) for dual level surge protection

Alpha extends its service power inserter family to include the SPI-RF, designed to connect the system power supply and DOCSIS network monitoring device. The SPI-RF includes an RF port allowing connection of the transponder to the cable plant inside Alpha's enclosures instead of placing a drop into the enclosure. This eliminates the need to have a drop placement of line passive and the associate cost for installation labor. This unit can be configured into Alpha's PWE, UPE and PN Series enclosures. Also, the SPI-RF can be removed or replaced without removal of the main cable entry assembly. An auxiliary power connection and transfer switch enables system AC power connection from a mobile source during power outages or power supply maintenance. A LED indicates the presence of primary power, and a test point provides for fast measurement of AC voltage.

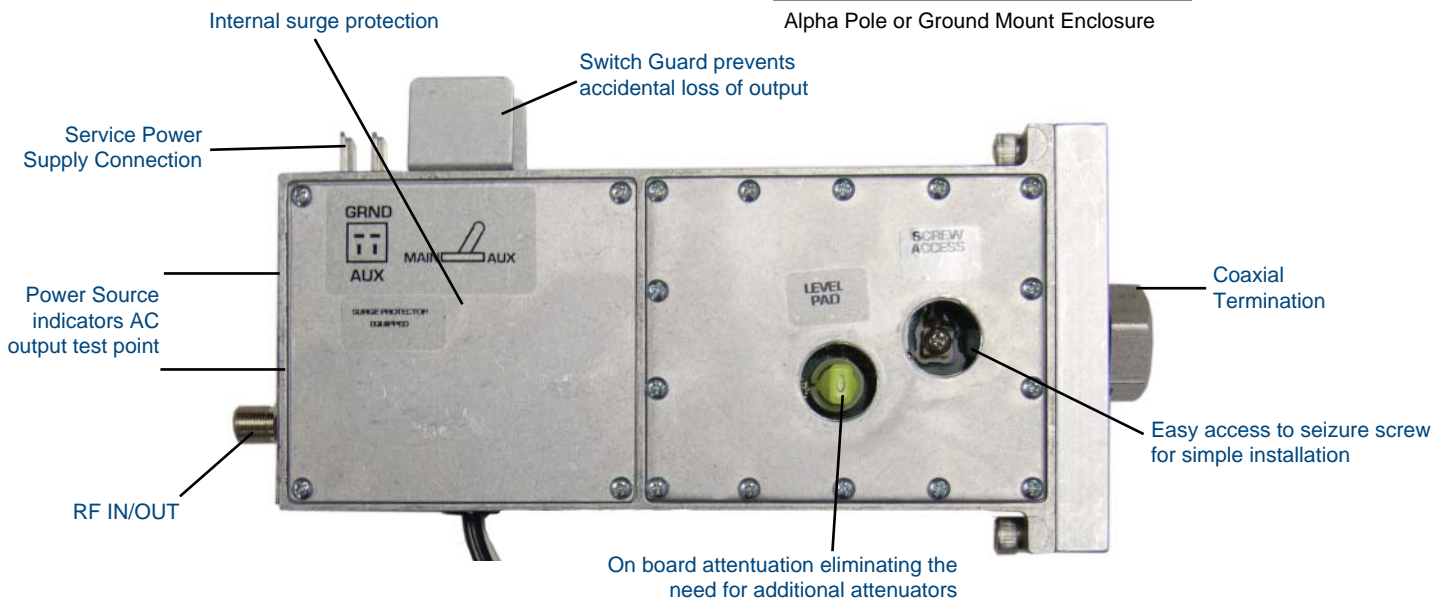
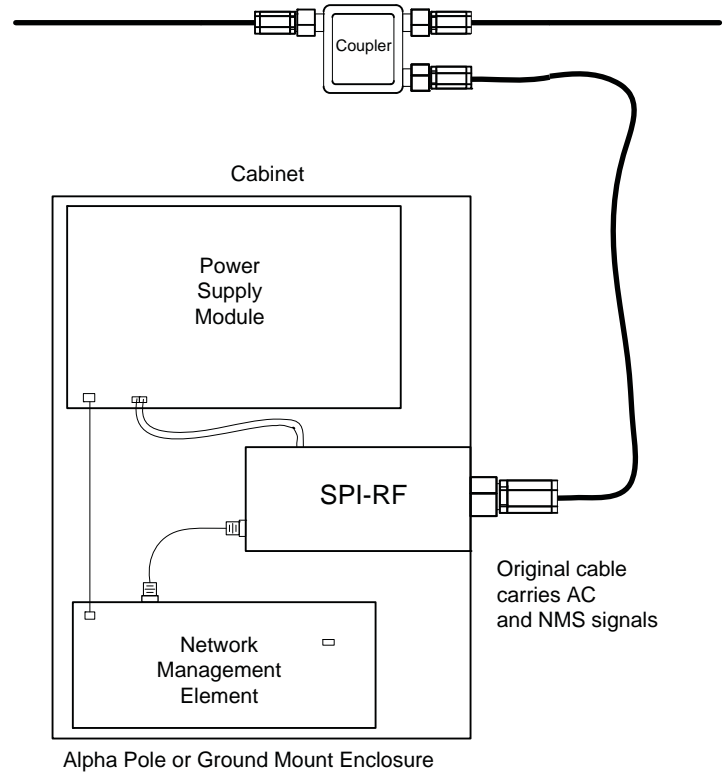
SPI-RF

Specifications

Part Number: 021-080-20	Status Monitor Power Supply Interface Module
Model Number: SPI-RF	
Parameter	
Passband:	5 to 862MHz
Flatness:	±0.5dB
Through Loss:	
@862MHz	<1.25dB
@5MHz	<0.5dB
Manual Control	
SXP PAD:	0 to 20dB
Return Loss	
Input:	16dB
Output:	16dB
AC Input Voltage:	30 to 90Vac
AC Bypass Current (Max):	20A
HUM Modulation @ 15A	-70dBc
EMI:	-110dBc
Weight: lb/kg	1.25/ 0.83
Dimensions (in):	8.25L x 4.00W x 1.20H
(mm):	209.55 x 101.60 x 30.48
Operating Temperature:	-40 to 131° F
	-40 to 55°C

SPI Placement Application Notes

Alpha Enclosure Model	Max. Number of SPI
PWE-3/6:	2 positions available
PWE-4/8:	2 positions available
UPE-3:	2 positions available
PN-3:	2 positions available per tray



For contact information visit www.alpha.com

The Alpha Group >

North America	Europe, Middle East & Africa	Asia Pacific	Latin & South America
Canada Tel: +1 360 647 2360 Fax: +1 360 671 4936	Cyprus Tel: +357 25 375 675 Fax: +357 52 359 595	Germany Tel: +49 9122 79889 0 Fax: +49 9122 79889 21	P.R. China Tel: +852 2736 8663 Fax: +852 2199 7988
USA Tel: +1 604 430 1476 Fax: +1 604 430 8908	Russia Tel: +7 495 925 9844 Fax: +7 495 916 1349	Lithuania Tel: +370 5 210 5291 Fax: +370 5 210 5292	Contact USA office
	United Kingdom Tel: +44 1279 501110 Fax: +44 1279 659870		