

# Power

## High Frequency Battery Charger



- Advanced design provides high efficiency, high power and pure DC output
- 24, 36 and 48 Vdc models with Universal AC input
- Proven reliability with an MTBF greater than 80,000 hours
- Advanced microprocessor with precise charging and termination algorithms
- Configurable for flooded lead acid, VRLA or NiCd batteries
- Charger protective features include voltage mismatch, reverse polarity, short circuit and temperature
- UL, CSA and CE certified

Alpha's High Frequency Industrial Battery Chargers offer industry-leading features and are suitable for on-board and off-board applications, such as material handling, industrial vehicles and floorcare. The sealed heavy-duty aluminum case protects the charger from water, dirt and other environmental elements. The efficient convection cooled design offers optimal heat dissipation without the need for a cooling fan, which further enhances reliability. With a Low Battery Voltage Start, overly-discharged batteries are not an issue as the unit can charge batteries with as little as 3Vdc present. An advanced microprocessor controller provides precise charging and termination algorithms to prevent both undercharging and overcharging, optimizing both daily battery capacity and overall battery life.

The High Frequency Industrial Charger can be ordered configured for flooded lead-acid, VRLA (AGM or gel) or NiCd batteries, and is ideal for onboard and portable applications where performance, size and reliability are critical. The compact footprint and light weight allow these chargers to be easily designed into on-board charging systems for nearly any application worldwide with no special configuration required. With Storage and Refresh Modes, batteries remain connected, with the AC power on, when equipment is not in use. The chargers will periodically provide a special refresh/conditioning charge during storage to overcome battery self-discharge and reduce sulfation.



## High Frequency Industrial Battery Charger

### Models 24V / 36V / 48V

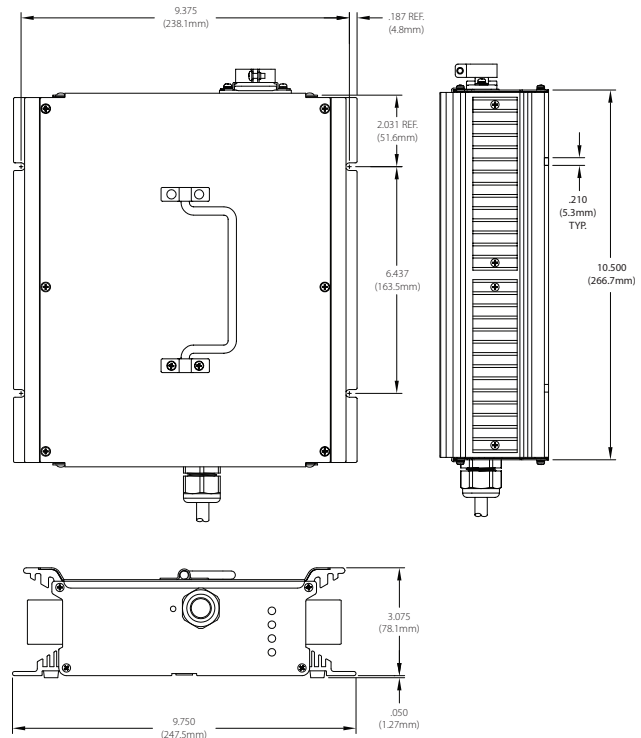
AC Input Ratings	
Voltage:	108-250 Vac
Frequency:	50-60 Hz
Phase:	Single-phase
Current:	< 8A for all voltages
Power Factor:	> 0.95
Protection:	Electronic protection
AC Input Tolerances	
Voltage:	90-264 Vac (< 108 Vac may reduce output)
Frequency:	47-63 Hz
DC Output Ratings	
Voltage (nom) / current (nom):	24V/25A, 36V/16A, 48V/12A
Battery Types:	Flooded lead-acid, VRLA, NiCd
Protection:	Electronic protection
Indicators	
AC POWER ON:	Blue LED
CHARGE STATUS:	Yellow LED
CHARGE COMPLETE:	Green LED
FAULT:	Red LED

Lockout Control	
Pulls down to battery neg (-) when active (250 mA, max)	
Mechanical	
Dimensions (LxWxH):	10.59 x 9.92 x 3.11 in (269 x 252 x 79 mm)
Weight (approx):	11.5 lbs (5.2 kg)
AC Connector:	IEC C14 connector with cord clamp
DC Cable/Connector:	Variety available
Lockout Cable/Connector:	Variety available
Consult an Alpha Industrial Power sales representative for cable and connector options.	
Environmental	
Operating Temperature:	-10 °C to 45 °C (> 30 °C may reduce output)
Storage Temperature:	-15 °C to 50 °C
Reliability	
> 80,000 hrs MTBF at full output at 30 °C (Telcordia SR-332, MIL-STD-267)	
Safety	
UL listed/registered, CSA certified/registered and CE certified	

Alpha offers customized chargers tailored for specific applications and customers.



High Frequency Industrial Battery charger without DC connector



Dimensioned views

For contact information visit [www.alpha.com](http://www.alpha.com)

The Alpha Group >

North America	Europe, Middle East & Africa		Asia Pacific	Latin & South America
USA Tel: +1 360 647 2360 Fax: +1 360 671 4936	Cyprus Tel: +357 25 375 675 Fax: +357 52 359 595	Germany Tel: +49 9122 79889 0 Fax: +49 9122 79889 21	Lithuania Tel: +370 5 210 5291 Fax: +370 5 210 5292	P.R. China Tel: +852 2736 8663 Fax: +852 2199 7988
Canada Tel: +1 604 436 5900 Fax: +1 604 436 1233	Russia Tel: +7 495 925 9844 Fax: +7 495 916 1349	United Kingdom Tel: +44 1279 501110 Fax: +44 1279 659870		Contact USA office