

## Security Bar Field Installation Instructions

For UPE-3, UPE-6, UPE-M3, UPE-M6, PN Series and CE Series Enclosures

Each security bar kit contains the parts and accessories needed to secure one enclosure door. Enclosures with both a front and back door, require two kits. Detailed placement specifications for each supported enclosure are in the Security Bar Field Installation Manual (Search for P/N 745-847-C1-001) available at [www.alpha.com](http://www.alpha.com).

### Tools and Materials Required

- Hand drill
- Center punch
- Pop rivet tool with 5/32" nose piece
- 4-foot level
- #20 drill bit
- Tape measure
- Masking tape
- Pencil
- Utility knife
- Vacuum to remove metal shavings from cabinet interior
- Lock, see Fig. 1 for dimensions

### Installation

The installation outlined below applies to each of the supported enclosures. On all enclosures you must install side brackets and lock brackets. The side brackets hold the security bar, and the lock brackets hold the security lock. See Figs. 4 and 5.

If needed, detailed placement specifications for each supported enclosure are in the Security Bar Field Installation Manual (Alpha P/N 745-847-C1-001) available at [www.alpha.com](http://www.alpha.com).

Material List, Security Bar Kit		
UPE-3, UPE-6, UPE-M3, UPE-M6, PN and CE Series		
Alpha P/N	Description	Qty
605-348-J2-002	Side Bracket	4
605-346-J2-003	Lock Bracket	2
605-345-R2-001	Security Bar	2
636-005-12	Rivets	12
633-294-12	Washers	12

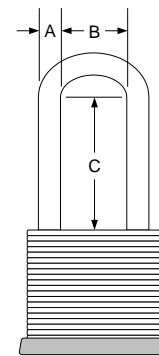


Fig. 1

Where:  
 A= 5/16"  
 B= 3/4"  
 C= 2 1/2"

### WARNING!

A gas line runs behind the door jam on the 5K generator. Turn off the gas prior to installing the security bar. Be careful not to puncture or damage the line.

1. Using a 4-ft level and a pencil, mark the front of the enclosure where you want to place the top side brackets and bar. See recommended placement specifications available at [www.alpha.com](http://www.alpha.com) (P/N 745-847-C1-001). See Fig. 2.
2. Measure from the sides and mark the holes with a center punch. These will be the top holes used by the side brackets.
3. Remove the door.
4. Place cardboard behind the door jam to protect the electronic equipment from the metal shavings created during drilling. The cardboard deflects the shavings, and should be removed when the installation is complete.
5. Drill the holes using a #20 drill bit. See Fig 3.

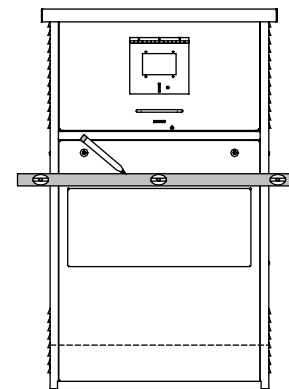


Fig. 2

Mark guide lines to aid in placing the top side brackets and security bar.

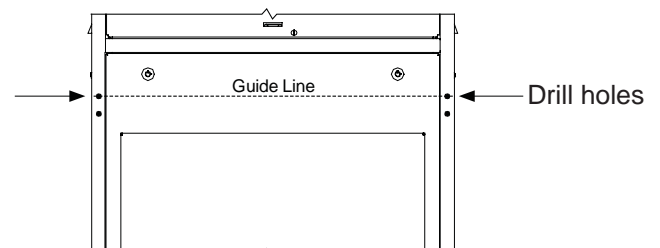


Fig. 3

**Installing the Security Bar, continued**

6. Line up the top hole of the side bracket with the hole drilled in the enclosure in Step 5. The side bracket provides a template for you to mark the bracket's bottom hole locations.
7. Mark the bottom holes with the center punch.
8. Drill the bottom holes of the side bracket using a #20 drill bit. Repeat for the other side.
9. On the removed door (Step 3), measure and mark the top hole locations for the lock brackets. While you can use the side brackets and security bar to determine the drill location, the lock brackets are not horizontally aligned with the side brackets, but are offset.
10. Use a #20 drill bit to drill the holes.
11. Align the top hole of the lock bracket with the hole drilled in the door in Step 10. Using a center punch and the lock bracket as a template, mark the locations of the bottom hole.
12. Using a #20 drill bit, drill the bottom holes.
13. Rivet the side brackets and lock brackets to the enclosure and to the door. See Figs. 4 and 5.
14. Install the second bar, repeating the necessary steps.
15. Remove metal shavings.
16. Replace the door on the enclosure and insert and lock security bar into the brackets.



**NOTE:**

Where necessary, use the utility knife to cut and remove insulation from the rivet area.

**DETAILED SPECIFICATIONS FOR EACH SUPPORTED ENCLOSURE ARE IN THE SECURITY BAR FIELD INSTALLATION MANUAL (SEARCH FOR P/N 745-847-C1-001) AVAILABLE AT WWW.ALPHA.COM.**

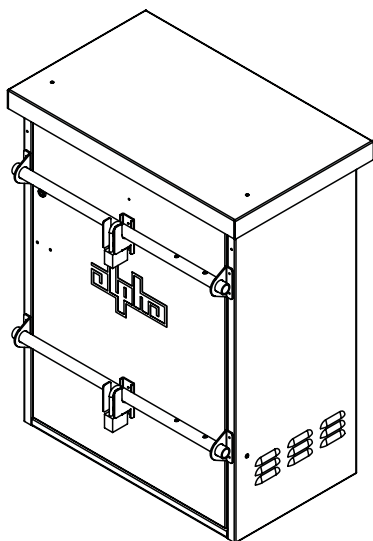


Fig. 6, UPE3 Enclosure with Security Bars

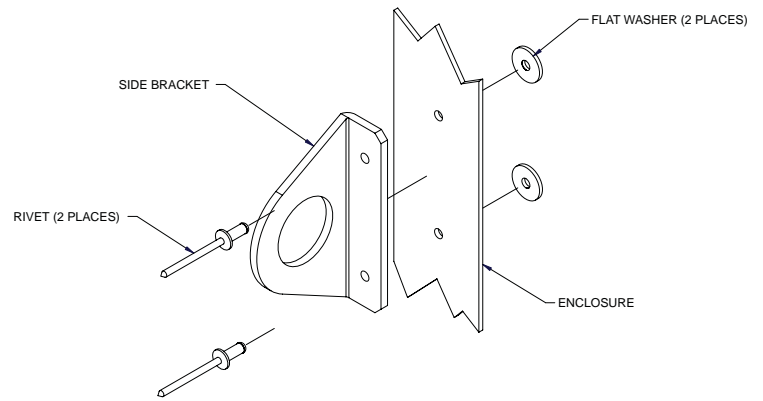


Fig. 4, Side Bracket Assembly

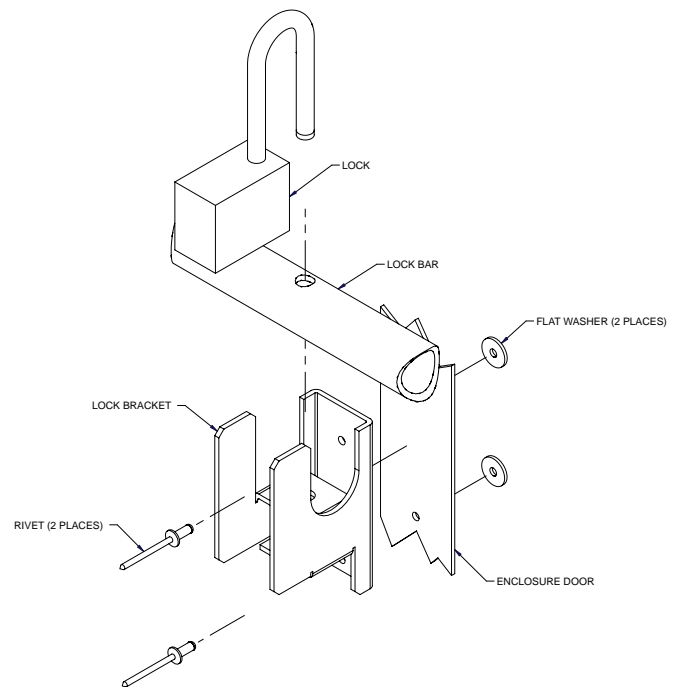


Fig. 5, Lock Bracket Assembly

For more information visit [www.alpha.com](http://www.alpha.com)

United States Bellingham, Washington Tel: 360 647 2360 Fax: 360 671 4936  
 Canada Burnaby, British Columbia Tel: 604 430 1476 Fax: 604 430 8908