

Connecting Battery Cable Kits to AlphaCell Batteries with Threaded Insert Terminals

As of January 1, 2007, AlphaCell batteries will be manufactured with threaded insert terminals. Previous AlphaCell models with flag terminals will no longer be available. To facilitate this change, each AlphaCell battery is shipped with two 3/4", 1/4 - 20 bolts, washers, and lock washers for terminal connections.

 **CAUTION!**

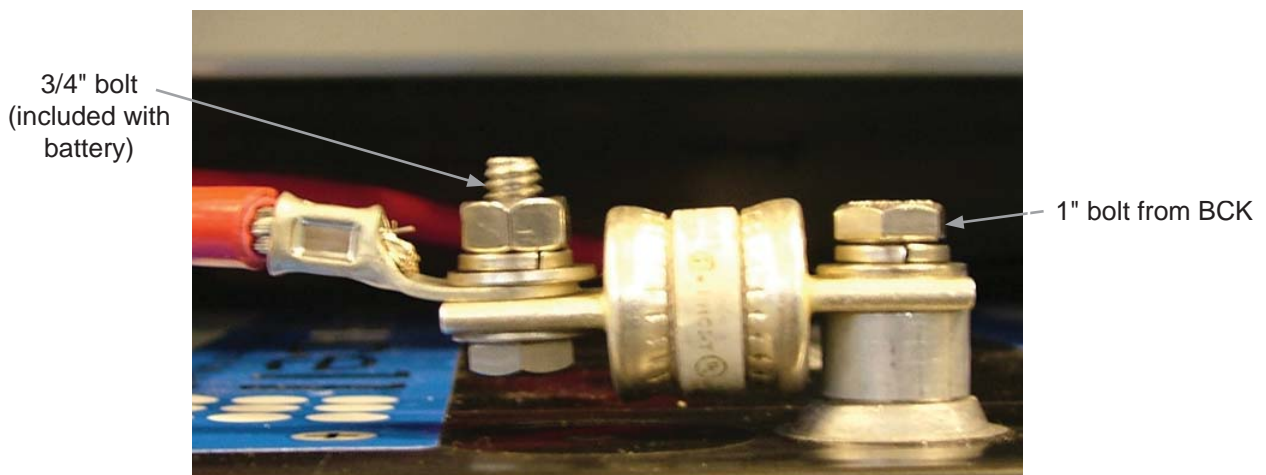
Do not use the 1" hardware included with the Battery Cable Kit for connecting directly to the threaded insert terminals. The threaded inserts are only 3/4" deep. Using 1" hardware will damage the battery and void the warranty.



3/4" Bolt ONLY

Fig. 1, Terminal Connections

Remove one 1" bolt from the Battery Cable Kit (BCK) hardware for making the fuse terminal connection. For all other terminals, use the 3/4" hardware included with the batteries.

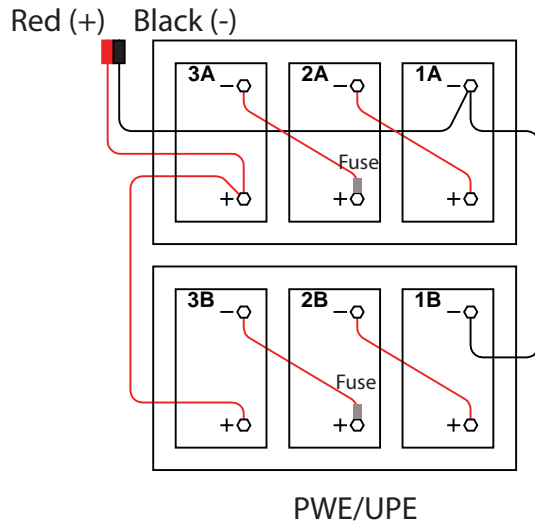


3/4" bolt
(included with
battery)

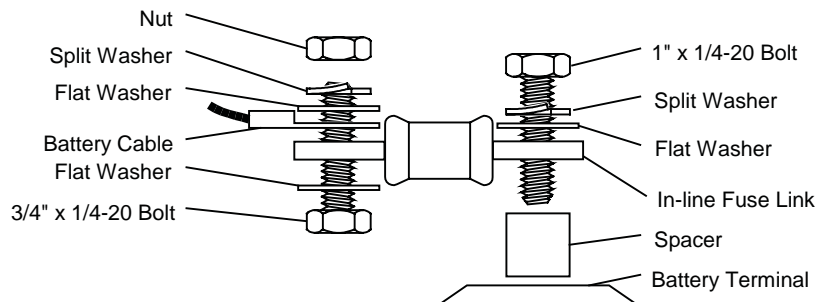
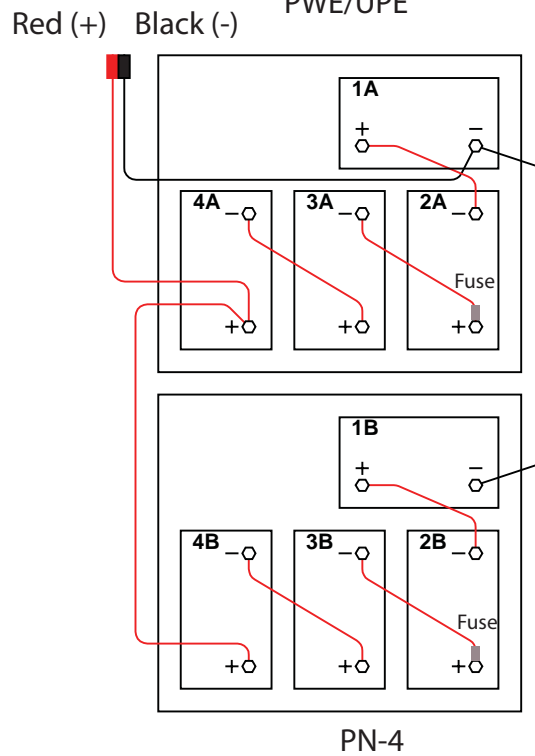
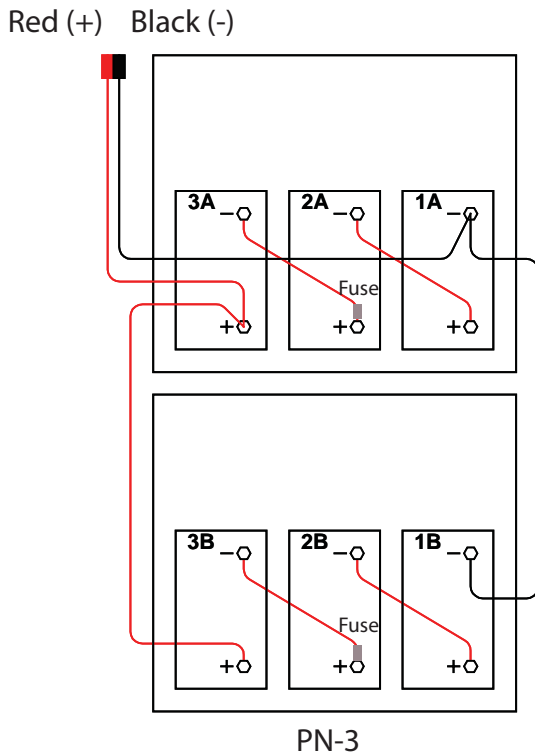
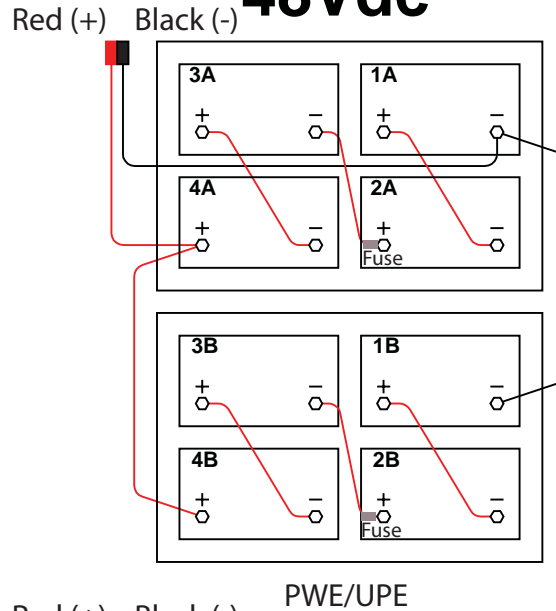
1" bolt from BCK

Fig. 2, Fuse Terminal Connection

36Vdc



48Vdc



For more information visit www.alpha.com

United States
Canada

Bellingham, Washington Tel: 360 647 2360 Fax: 360 671 4936
Burnaby, British Columbia Tel: 604 430 1476 Fax: 604 430 8908