

Pedestal Supports for Ground Mount Enclosures



Structural Foam Precast Enclosure Pedestals

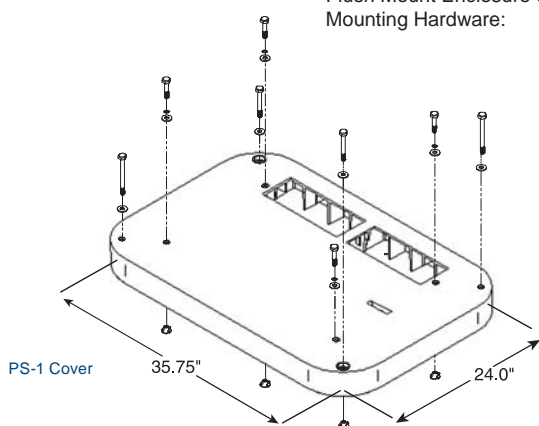
Model:	UPE-3 UPE-3L	UPE-4	UPE-6 UPE-6L	UPE-8	UPE-M3	UPE-M6	UPE-M8
PS-1:					●	●	●
PS-6:	●	●					
PS-6XL:	●	●	●	●			

Note: Meter load center and ECR through hole in PS6 cover is easily drilled through as required.

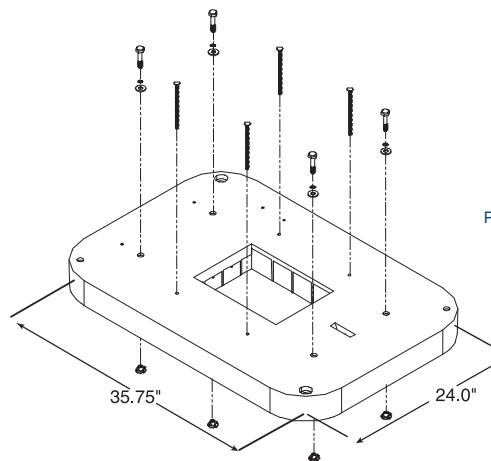
Standard Features

Polyethylene Construction:
Large Body Design:
Flush Mount Enclosure Surface:
Mounting Hardware:

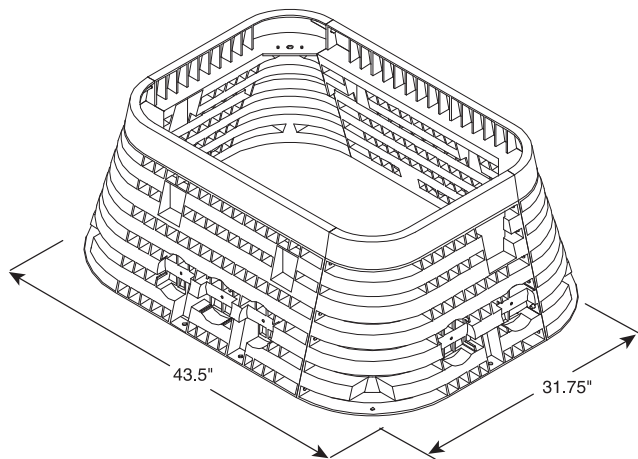
Eliminates the need for costly and time consuming concrete work
Provides convenient working space for connections
No enclosure distortion due to uneven concrete installations
Included



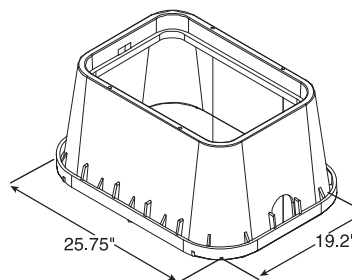
PS-1 Cover



PS-6 and PS-6XL Cover



PS-1 and PS-6XL Base



PS-6 Base



PS-6 Cover



PS-6XL Cover and Base



PS-6 Cover and Base

For contact information visit www.alpha.com

The Alpha Group >

Europe, Middle East & Africa			Asia Pacific	North America	Latin & South America
Cyprus Tel: +357 25 375 675 Fax: +357 25 359 595	Germany Tel: +49 9122 79889 0 Fax: +49 9122 79889 21	Lithuania Tel: +350 5 210 5291 Fax: +350 5 210 5292	P.R. China Tel: +852 2736 8663 Fax: +852 2199 7988	Canada Tel: +1 604 430 1476 Fax: +1 604 430 8908	Contact USA office
Russia Tel: +7 495 916 1854 Fax: +7 495 916 1349	United Kingdom Tel: +44 1279 501110 Fax: +44 1279 659870			USA Tel: +1 360 647 2360 Fax: +1 360 671 4936	