

High Wind Louver Covers Kits

Power



High Wind Louver Cover Kits Field Installation Guide

Effective: March 2004

Alpha Technologies. Protecting The Power in Communications.

Power

High Wind Louver Cover Kits

Field Installation Guide

745-442-C0-002, Rev B

March, 2004

Copyright © 2004

Alpha Technologies, Inc

ATTENTION

Alpha denies responsibility for any damage or injury involving its enclosures, power supplies, generators, batteries, or other hardware when used for an unintended purpose, installed or operated in an unapproved manner, or improperly maintained.

NOTE

Illustrations contained in this manual are for illustrative purposes only. These illustrations may not exactly match your installation.

NOTE

Review the drawings and illustrations contained in this manual before proceeding. If there are questions regarding the safe operation of this powering system, please contact Alpha Technologies or your nearest Alpha representative.

Contacting Alpha Technologies:

For general **product information and customer service**

1-800-863-3930

(7:00 AM to 5:00 PM Pacific Time)

For complete **technical support**

1-800-863-3364

(7:00 AM to 5:00 PM Pacific Time, or 24/7 emergency support)

Save these instructions for future reference.

Table of Contents

1.0 Introduction	5
1.1 Safety Information	5
1.2 Parts List	5
1.3 Required Tools	5
2.0 Installation	6
2.1 Cover Installation Procedure	6
2.2 Cover Installation Diagrams	7
2.2.1 PWE-3, PWE-4, PWE-6, PWE-8, PWE-9, PWE-D36	7
2.2.2 PWE	8
2.2.3 PWE-4 Legacy, PWE Legacy	9
2.2.4 PWE-8R	10
2.2.5 PWV Legacy	11
2.2.6 PWE-24	12
PME	12
2.2.7 UPE-4, UPE-8, UPE-6L	13
UPE-3L	13
2.2.8 UPE-3, UPE-6	14
UPE-8 Legacy	14
2.2.9 PN-3, PN-4	15
PN-4L	15
2.2.10 PN-6	16
2.2.11 PN-FN and PN-4LB	17
2.2.12 CE Sidecar	18
2.2.13 BSM-3	19
2.2.14 BE-PWE	20
2.2.15 BE-PME with door and BE-PWE with door	21

1.0 Introduction

1.1 Safety Information

ATTENTION

The use of ATTENTION indicates specific regulatory/code requirements that may affect the placement of equipment and installation procedures.



NOTE

A NOTE provides additional information to help complete a specific task or procedure.



CAUTION!

A CAUTION presents safety information to PREVENT DAMAGE to EQUIPMENT as the technician/user works on it.



WARNING!

A WARNING presents safety information to PREVENT INJURY OR DEATH to the technician/user.

1.2 Parts List

Each kit will contain various quantities of:

- Sea-Foam Green or Gray Louver Covers (contact Alpha for additional colors)
- .129" Rivets
- Batting Material

1.3 Required Tools

- 1/2" drive hand drill
- 9/64" (#28) drill bit
- Drill-Stop collar
- Rivet gun with 1/8" nose piece
- Tape Measure
- Lint free rag
- Rubbing alcohol (or cleaning solvent)
- Scissors or razor knife
- Vacuum to remove metal shavings from interior of cabinet.

2.0 Installation

2.1 Cover Installation Procedure

This manual contains detailed drawings of louver cover and batting placement for various enclosures. Batting material is intended for use in applications subjected to high winds and fine snow.



CAUTION!

Alpha Technologies highly recommends removing batting material in spring and replacing it in fall. Batting material reduces air flow and may prevent proper cooling if left in the unit during hot summer months. Refer to the drawing that matches your enclosure.



CAUTION!

If required, follow manufacturer's instructions for powering down the power supply, and disconnecting the battery pack. Use **EXTREME CAUTION** when drilling into the enclosure, **always verify what is behind the area you are drilling into.**



NOTE

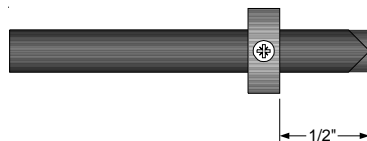
On some models, pre-stamped dimples (half-shears) mark the locations for drilling rivet holes. For these models skip steps 1 and 2.

1. Center storm hood over the louvers. Verify that covers do not interfere with locks, lids, doors or logos. **Verify that no structures, electrical boxes or wiring are behind the area to be drilled.** Reposition cover if needed.
2. Using a center punch, place a mark in the center of the rivet holes in the cover. Remove the cover.

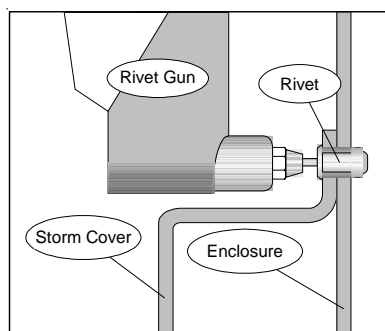


NOTE

Set a drill stop collar 1/2" from end of drill bit to prevent damage to internal structures.



3. Use a #28 drill bit (9/64") to drill out the rivet holes.
4. Clean inside of louver cover using alcohol and a lint free rag. Allow to dry.
5. Trim batting material if necessary using scissors or a razor knife.
6. Remove tape backing and install batting material inside the louver covers pressing it down firmly. See drawings for correct batting placement for your model.
7. Using the rivets provided with the kit, install the cover.

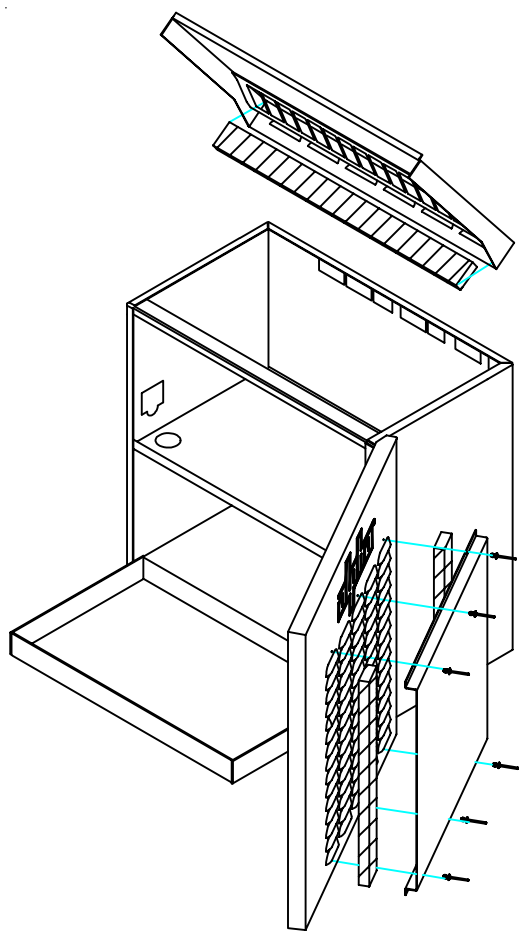


2.0 Installation

2.2 Cover Installation Diagrams

2.2.1 PWE-3, PWE-4, PWE-6, PWE-8, PWE-9, PWE-D36

(Produced since early 2002)
745-103-34 (gray) and 745-103-35 (seafoam green)



PWE-3

 **NOTE**

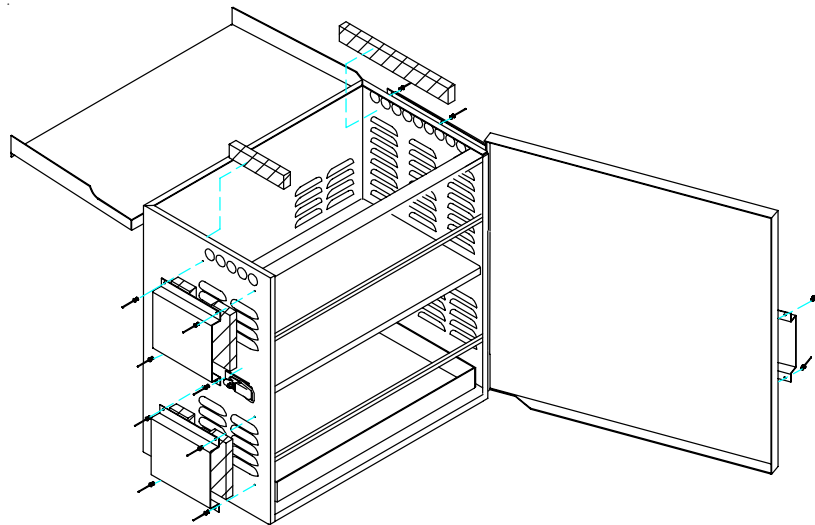
For installation parts, tools, and procedures see pages 5 & 6.

2.0 Installation

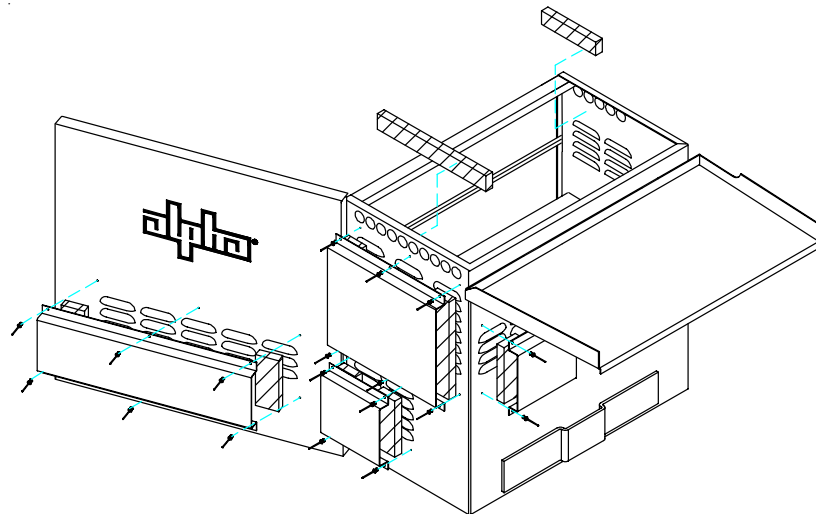
2.2 Cover Installation Diagrams, *Continued*

2.2.2 PWE

(Produced 1998 until early 2002)
P/N 744-934-21 (gray) and 744-934-22 (seafoam green)



PWE
(Front)



PWE
(Back)



NOTE

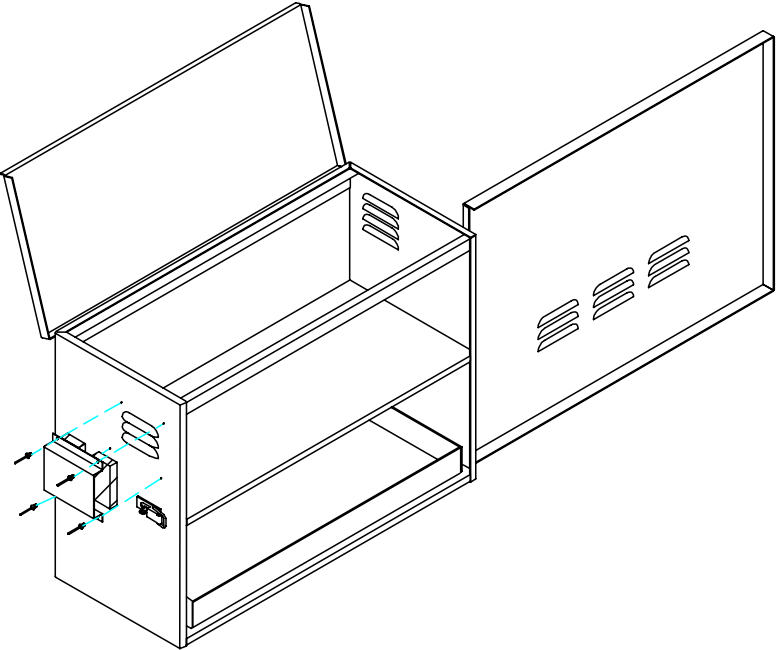
For installation parts, tools, and procedures see pages 5 & 6.

2.0 Installation

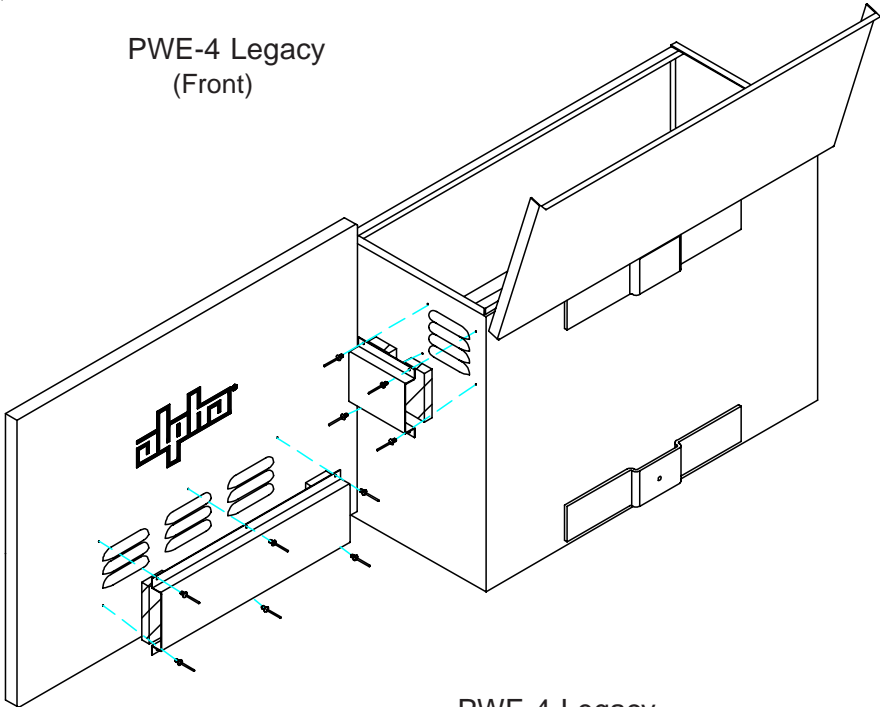
2.2 Cover Installation Diagrams, *Continued*

2.2.3 PWE-4 Legacy, PWE Legacy

P/N 744-002-21 (gray) and 744-002-22 (seafoam green)



PWE-4 Legacy
(Front)



PWE-4 Legacy
(Back)

 **NOTE**

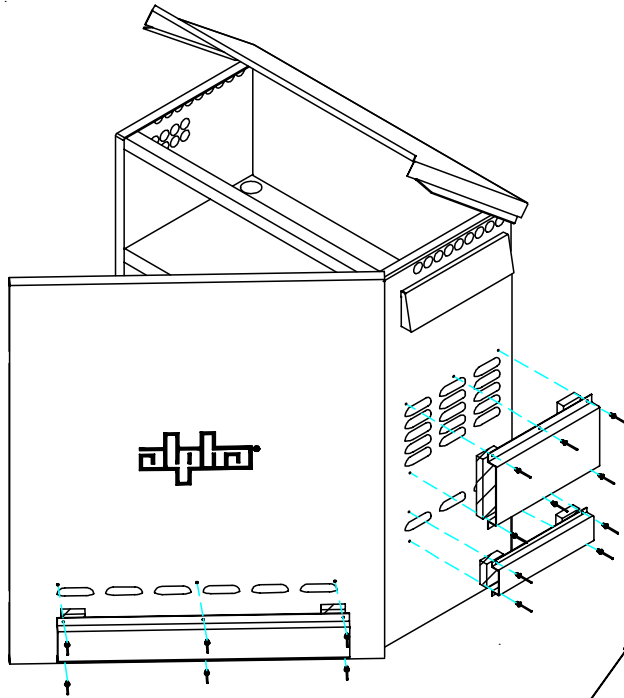
For installation parts, tools, and procedures see pages 5 & 6.

2.0 Installation

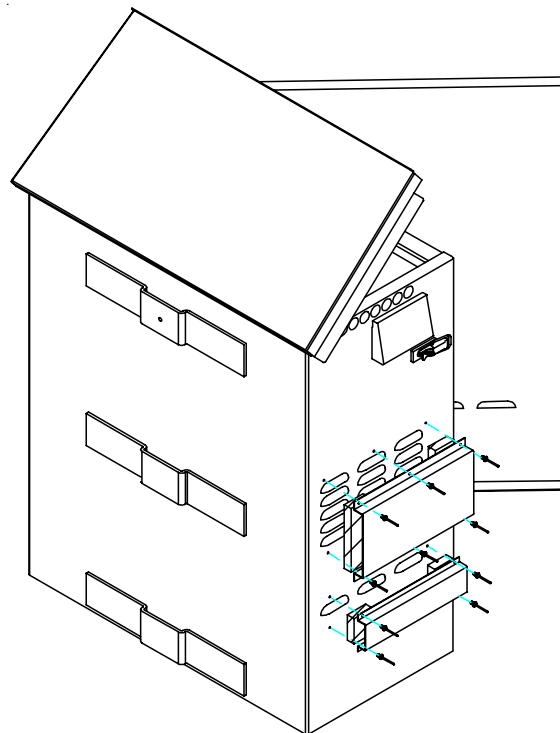
2.2 Cover Installation Diagrams, *Continued*

2.2.4 PWE-8R

P/N 745-452-20 (gray) and 745-452-21 (seafoam green)



PWE - 8R
(Front)



PWE - 8R
(Back)



NOTE

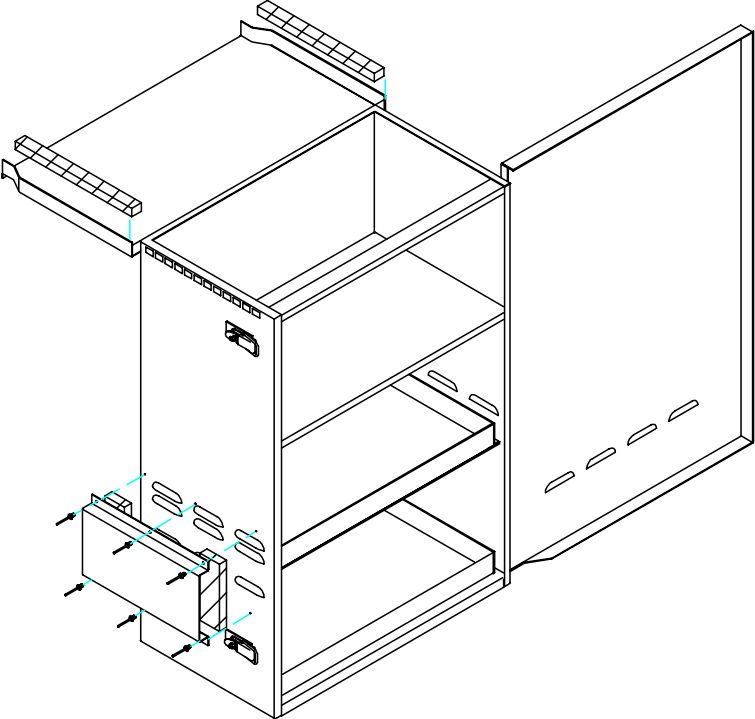
For installation parts, tools, and procedures see pages 5 & 6.

2.0 Installation

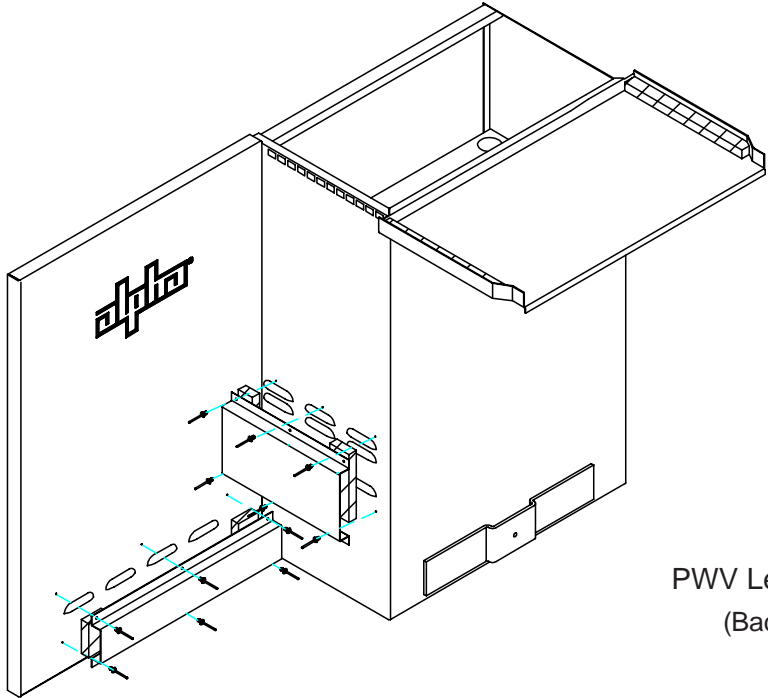
2.2 Cover Installation Diagrams, *Continued*

2.2.5 PWV Legacy

P/N 744-898-21 (gray) and 744-898-22 (seafoam green)



PWV Legacy
(Front)



PWV Legacy
(Back)

 **NOTE**

For installation parts, tools, and procedures see pages 5 & 6.

2.0 Installation

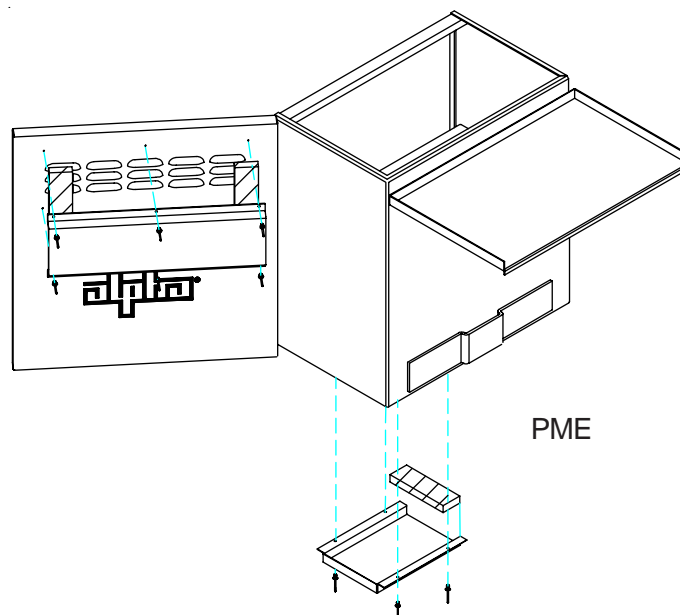
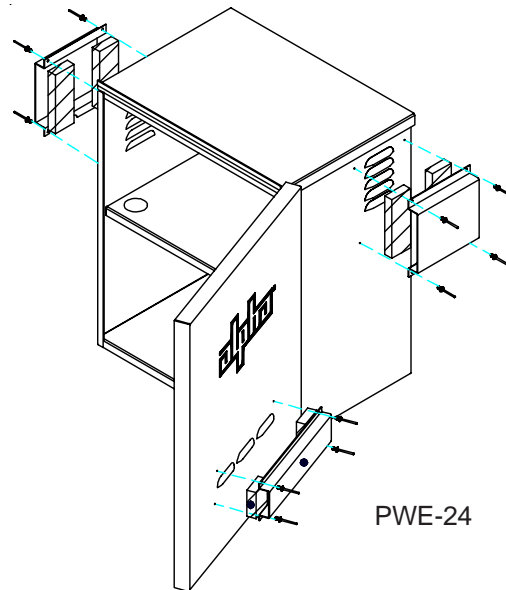
2.2 Cover Installation Diagrams, *Continued*

2.2.6 PWE-24

P/N 745-444-20 (gray) and 745-444-21 (seafoam green)

PME

P/N 744-001-21 (gray) and 744-001-22 (seafoam green)



NOTE

For installation parts, tools, and procedures see pages 5 & 6.

2.0 Installation

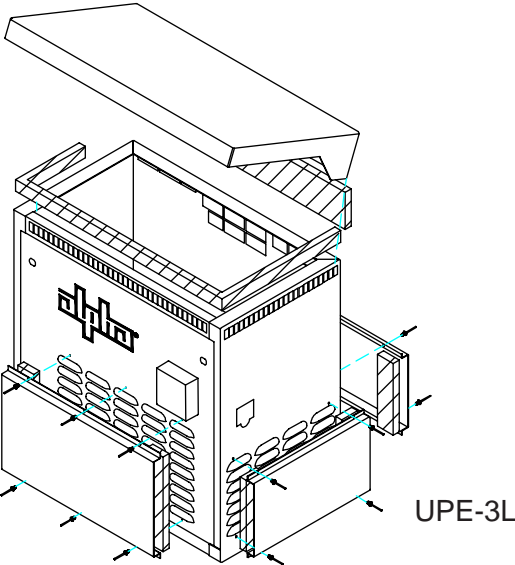
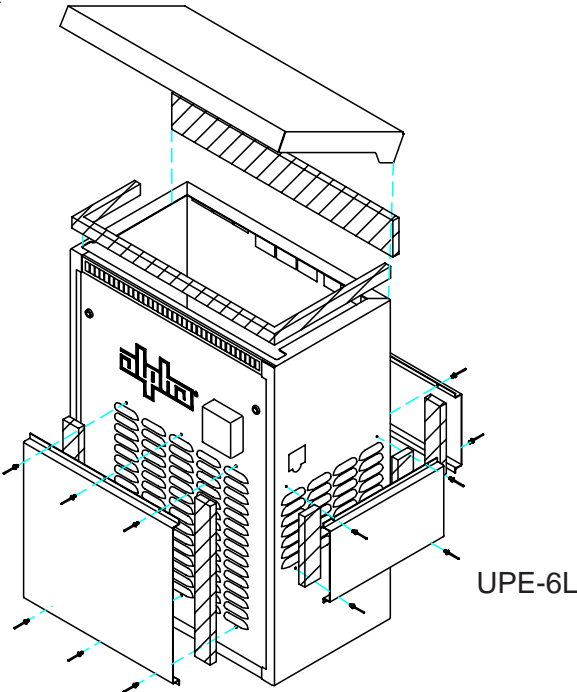
2.2 Cover Installation Diagrams, *Continued*

2.2.7 UPE-4, UPE-8, UPE-6L

P/N 745-179-38 (gray) and 745-179-39 (seafoam green)

UPE-3L

P/N 745-179-40 (gray) and 745-179-41 (seafoam green)



 **NOTE**

For installation parts, tools, and procedures see pages 5 & 6.

2.0 Installation

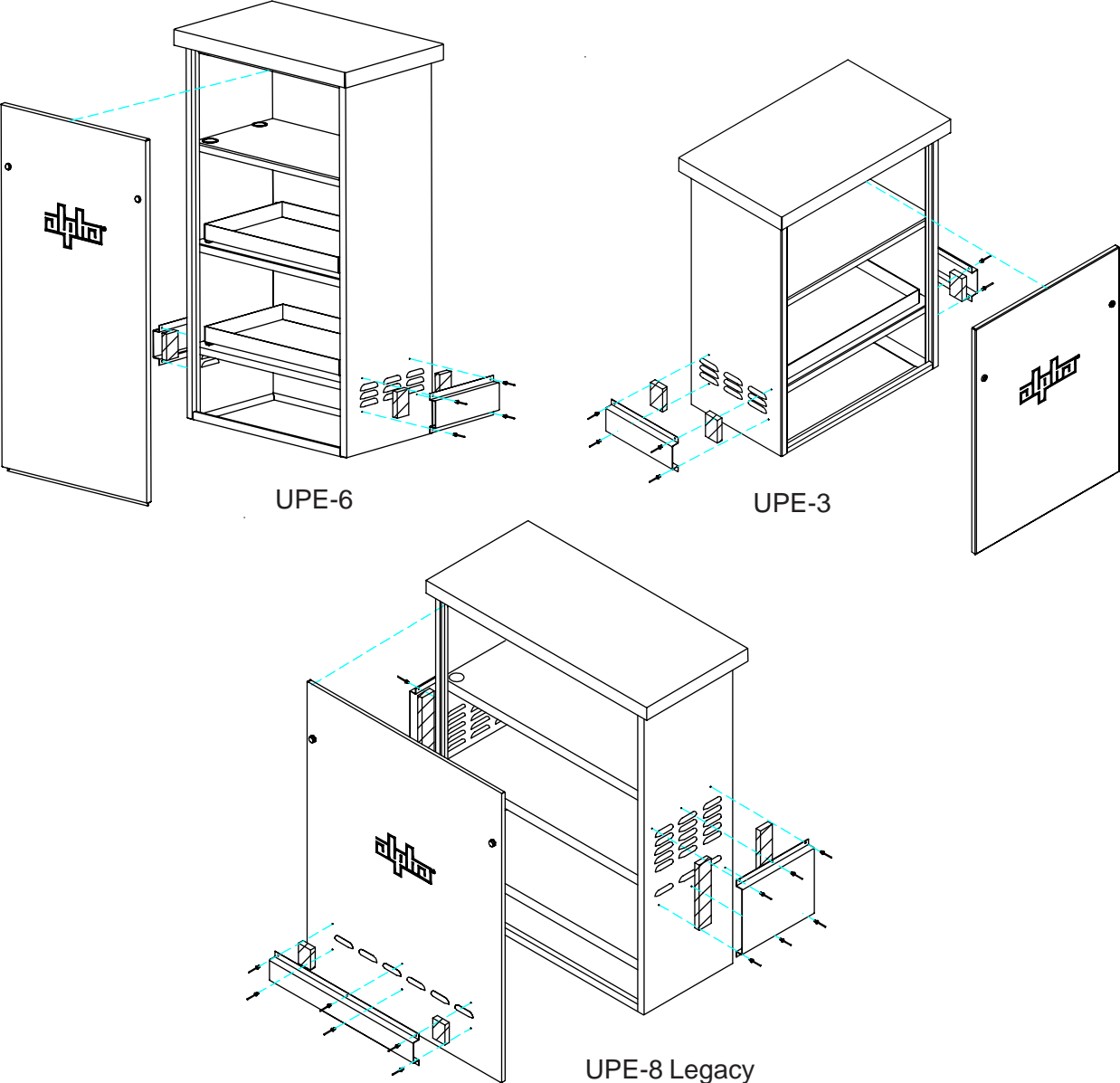
2.2 Cover Installation Diagrams, *Continued*

2.2.8 UPE-3, UPE-6

P/N 745-442-20 (gray) and 745-442-21 (seafoam green)

UPE-8 Legacy

(Produced through early 2003)
P/N 745-445-20 (gray) and 745-445-21 (seafoam green)



NOTE

For installation parts, tools, and procedures see pages 5 & 6.

2.0 Installation

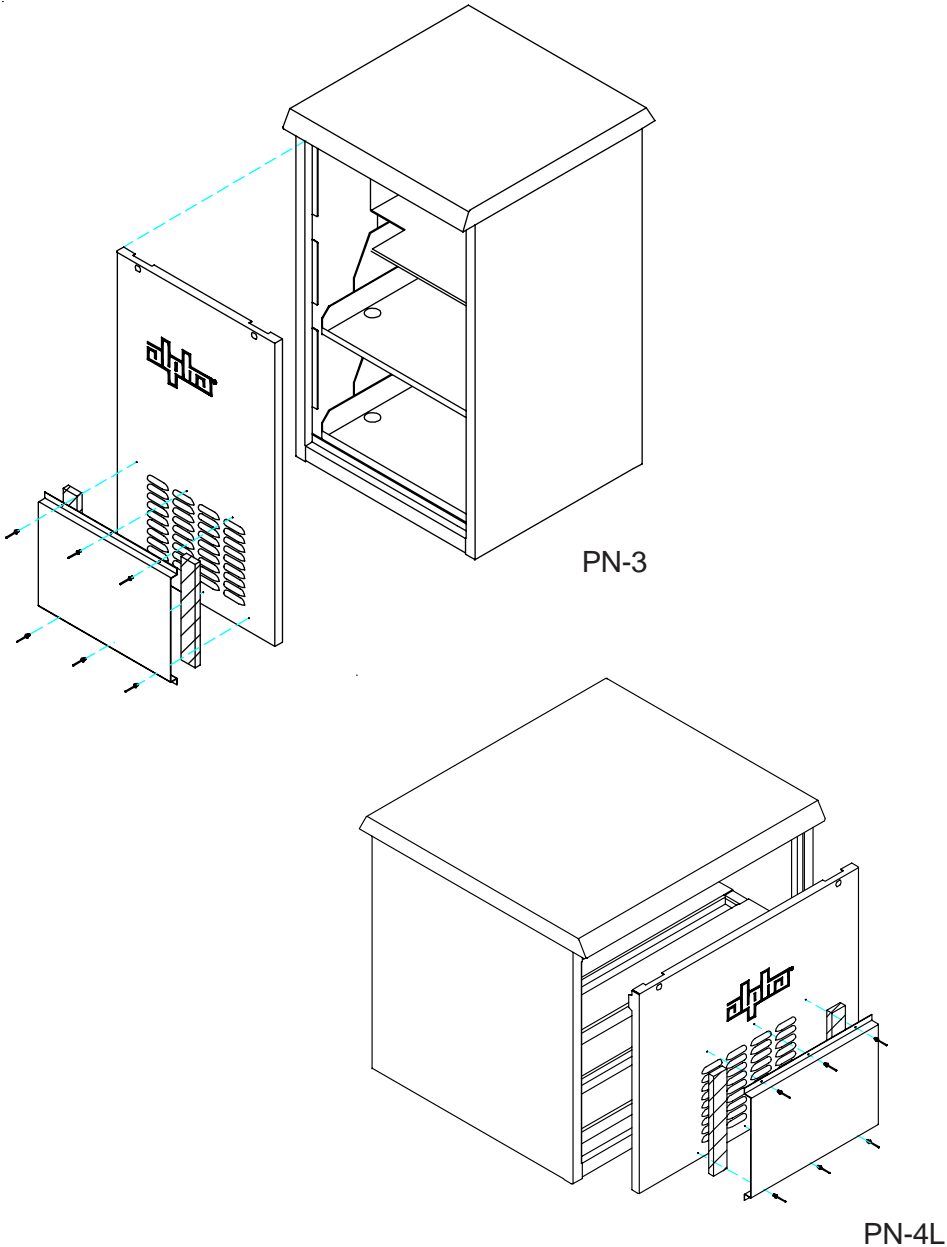
2.2 Cover Installation Diagrams, *Continued*

2.2.9 PN-3, PN-4

P/N 745-447-20 (gray) and 745-447-21 (seafoam green)

PN-4L

P/N 745-448-20 (gray) and 745-448-21 (seafoam green)



 **NOTE**

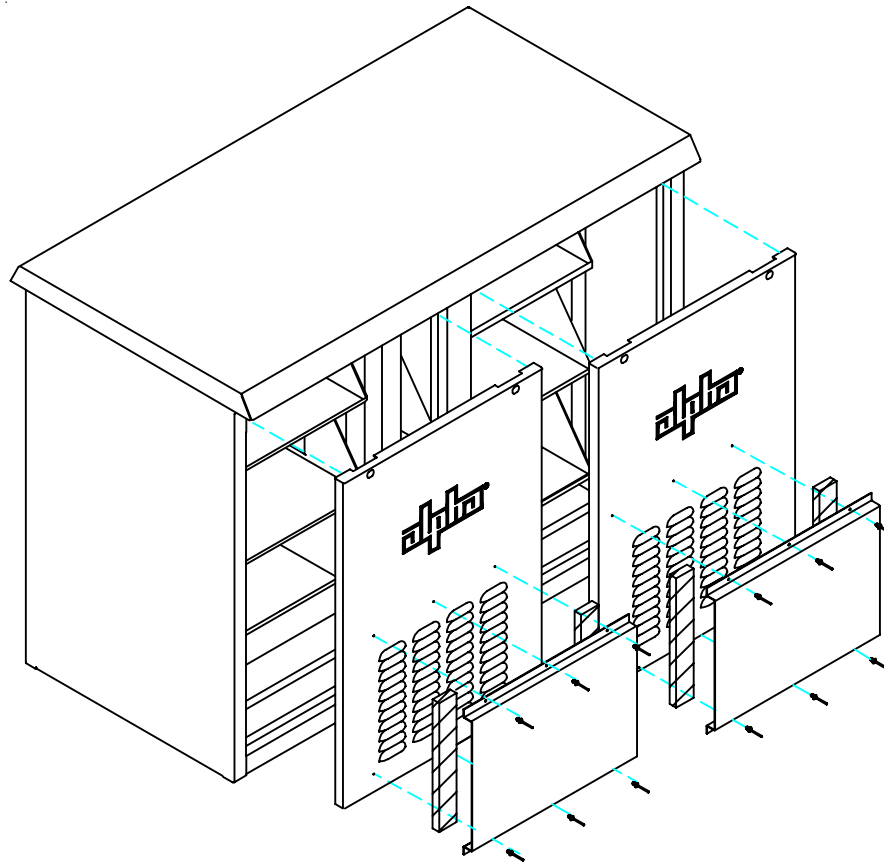
For installation parts, tools, and procedures see pages 5 & 6.

2.0 Installation

2.2 Cover Installation Diagrams, *Continued*

2.2.10 P/N-6

P/N 745-451-20 (gray) and 745-451-21 (seafoam green)



P/N-6



NOTE

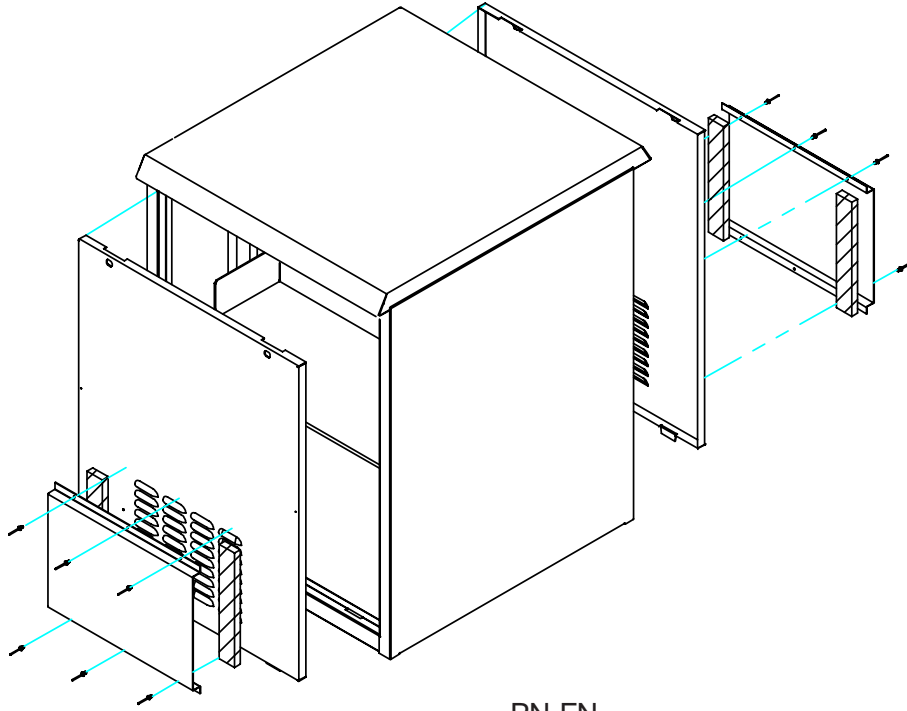
For installation parts, tools, and procedures see pages 5 & 6.

2.0 Installation

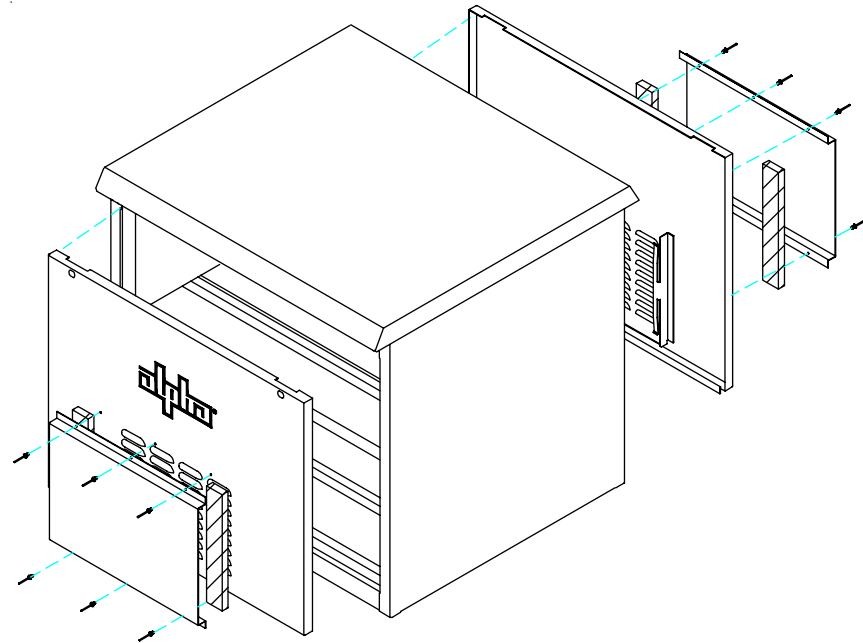
2.2 Cover Installation Diagrams, *Continued*

2.2.11 PN-FN and PN-4LB

P/N 745-449-20 (gray) and 745-449-21 (seafoam green)



PN-FN



PN-4LB



NOTE

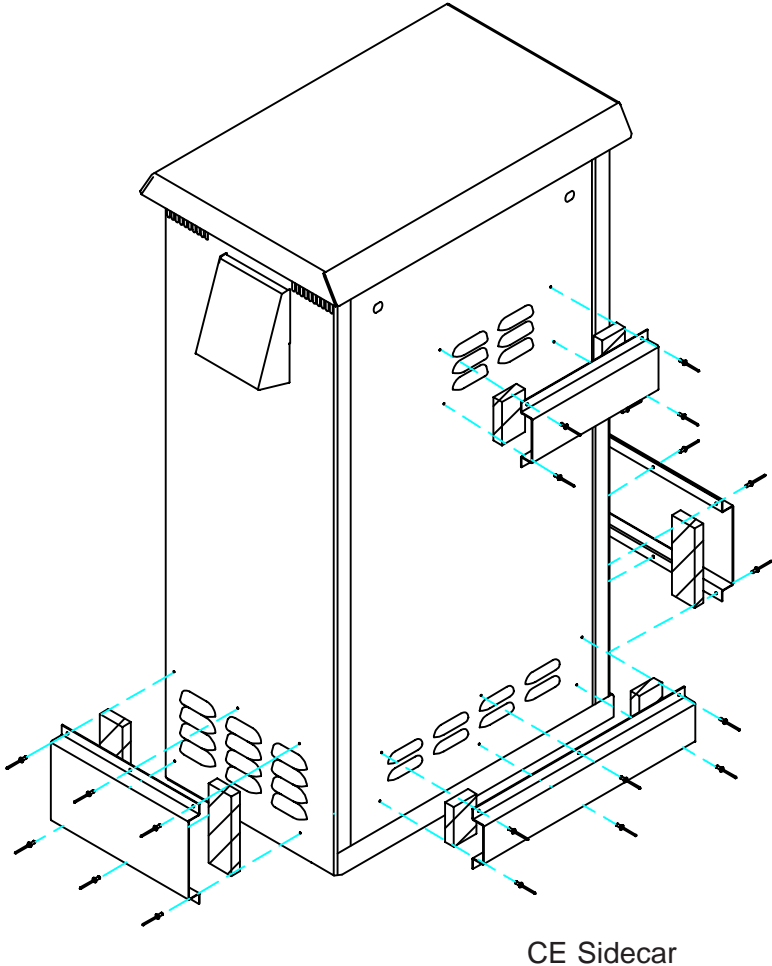
For installation parts, tools, and procedures see pages 5 & 6.

2.0 Installation

2.2 Cover Installation Diagrams, *Continued*

2.2.12 CE Sidecar

P/N 745-463-20 (gray) and 745-463-21 (seafoam green)



 **NOTE**

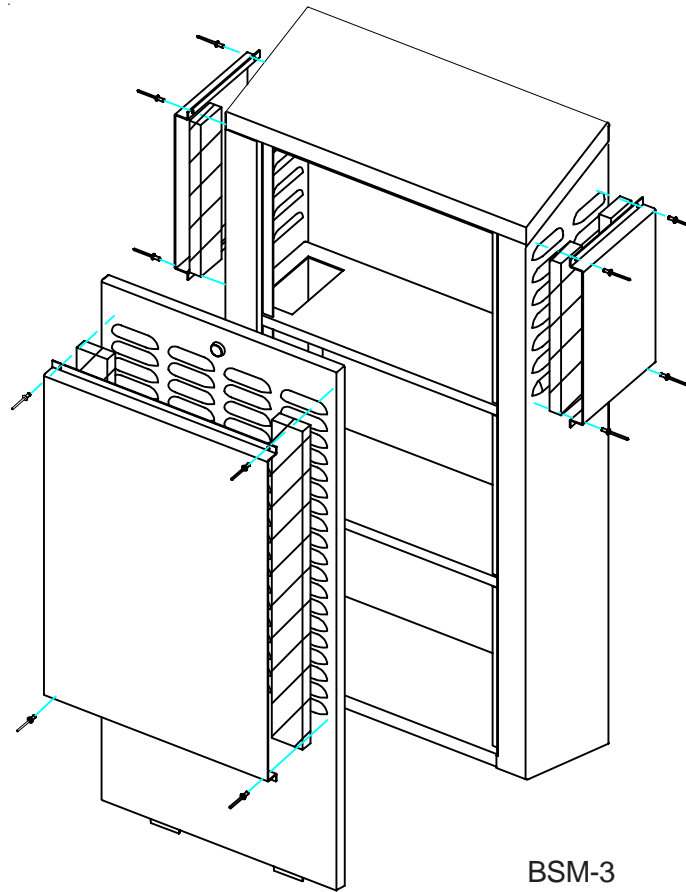
For installation parts, tools, and procedures see pages 5 & 6.

2.0 Installation

2.2 Cover Installation Diagrams, *Continued*

2.2.13 BSM-3

P/N 745-467-20 (gray) and 745-467-21 (seafoam green)



 **NOTE**

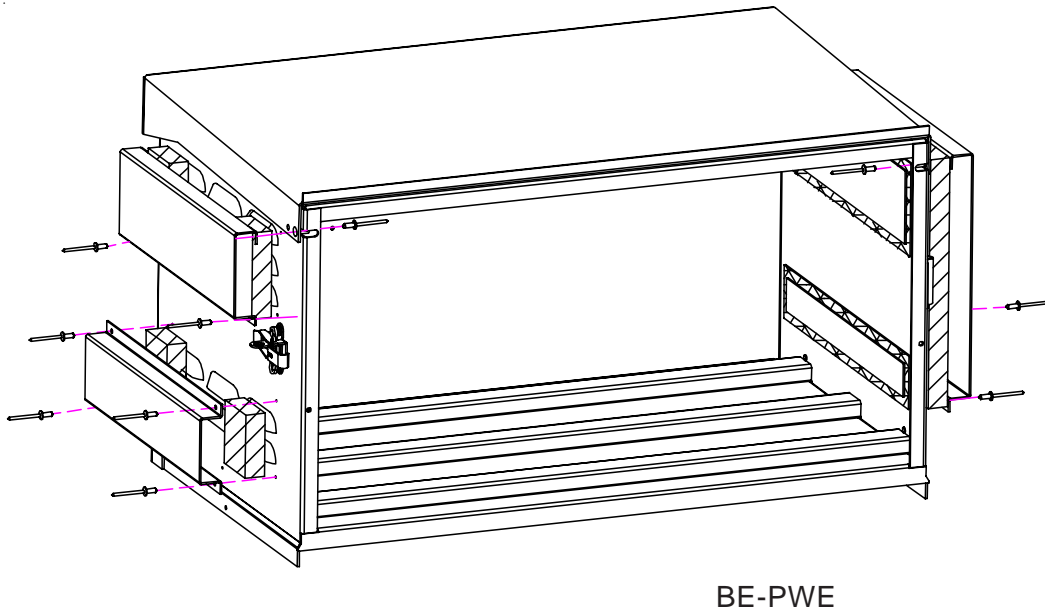
For installation parts, tools, and procedures see pages 5 & 6.

2.0 Installation

2.2 Cover Installation Diagrams, *Continued*

2.2.14 BE-PWE

P/N 745-323-23 (gray)



 **NOTE**

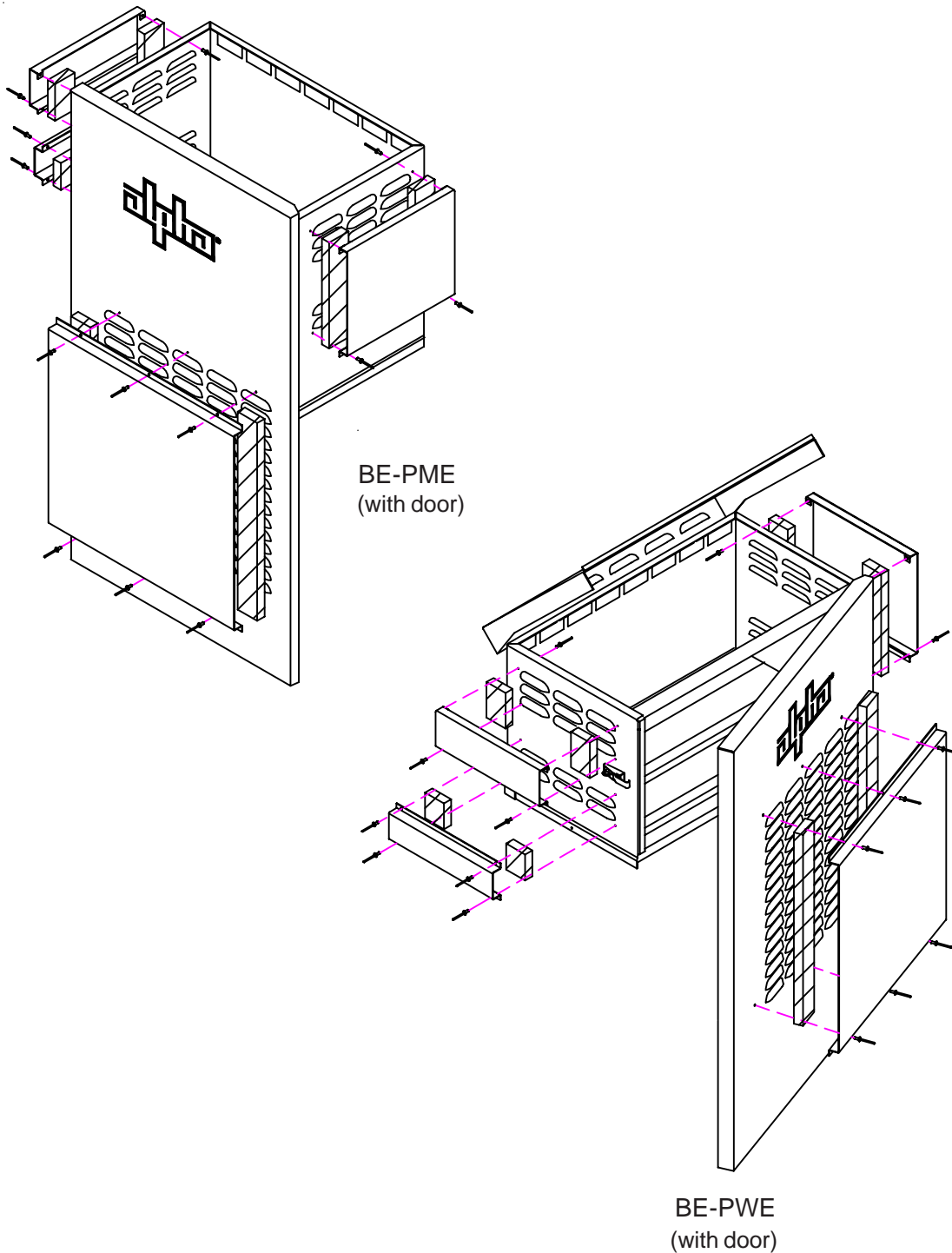
For installation parts, tools, and procedures see pages 5 & 6.

2.0 Installation

2.2 Cover Installation Diagrams, *Continued*

2.2.15 BE-PME with door and BE-PWE with door

P/N 745-621-21 (gray)



NOTE

For installation parts, tools, and procedures see pages 5 & 6.

Power

www.alpha.com Protecting The Power in Communications.

Alpha Technologies
3767 Alpha Way
Bellingham, WA 98226
USA
Tel: +1(360) 647-2360
Fax: +1(360) 671-4936
Web: www.alpha.com

Alpha Technologies Ltd.
4084 McConnell Court
Burnaby, BC, V5A 3N7
CANADA
Tel: +1(604) 430-1476
Fax: +1(604) 430-8908

Alpha Technologies
Europe Ltd.
Cartel Business Estate
Edinburgh Way
Harlow, Essex CM20 2TT
UNITED KINGDOM
Tel: +44-1279-422110
Fax: +44-1279-423355

Alpha Technologies
Hansastrasse 8
D-91126 Schwabach
GERMANY
Tel: +49-9122-79889-0
Fax: +49-9122-79889-21

Alphatec
339 St. Andrews Street
Suite 101
Andrea Chambers
Limassol, Cyprus
CYPRUS
Tel: +357-25-375675
Fax: +357-25-359595

Alpha Technologies
Unit R5-R7 Regents Park Estate
Corner Park Rd and Prince's Rd
East
Regents Park, NSW 2143
AUSTRALIA
Tel: +61-2-9722-3320
Fax: +61-2-9722-3321