

# Power

## ContactAgent

Modular Remote Device Facility Manager



- Remote site monitoring and control for generators
- Provide network access for non-network equipment via web and SNMP
- Email Alarm Capability
- Contact Closure or Analog Inputs and Latched Relay Contact Outputs
- Optional Temperature and Humidity Measurements

ContactAgent is a modular remote monitoring and control system. The system consists of the Master Unit, Remote Input Module (RIM) and Remote Output Module (ROM). The Master Unit has built-in capability to monitor up to eight digital contact-closure inputs, plus the ability to control two contact-closure outputs. The capability of the Master Unit can be easily expanded through the use of RIM and ROM slave modules placed at the point of use and connected to the Master Unit with common CAT-5 Ethernet cabling.



Each of up to four additional RIM modules adds six additional monitored inputs to the system, plus local AC utility power monitoring and optional point-of-use temperature and humidity sensors. Each RIM input can be programmed to respond to contact-closures or it can measure analog voltages. When programmed as analog monitored points, each input has a DC measurement range of +/- 12Vdc with accuracy of +/- 2% and measurement resolution of 25mV. A special RMS analog mode allows an input to measure 50-60Hz AC voltages of arbitrary waveform.

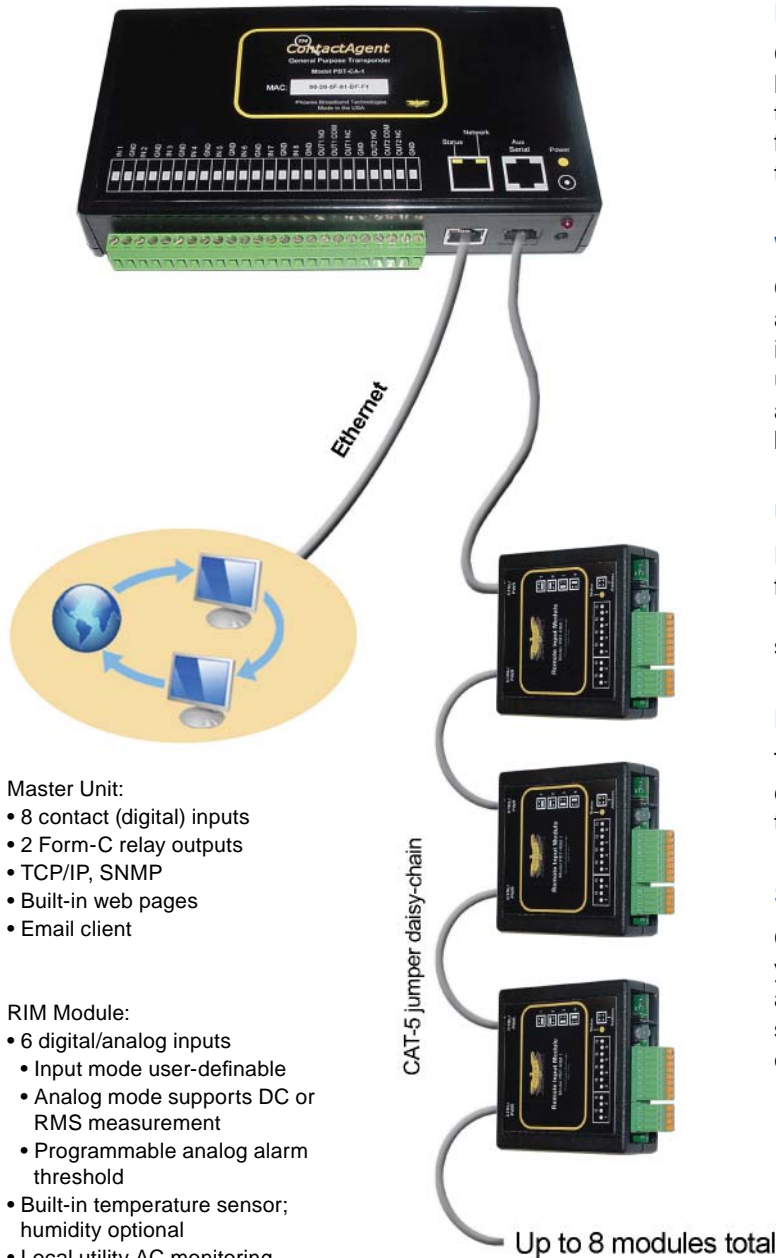


Each of up to four additional ROM modules adds four additional remotely controllable Form-C relay contacts. The relays are mechanically latched, so they maintain their state during a system power loss. The ROM also contains optional point-of-use temperature and humidity sensors.

The ContactAgent system is fully programmable and remotely operable via either the built-in web pages or via its industry standard SNMP interface. All inputs can be individually configured to generate alarms under user-defined conditions, and an email client can be configured to send alarm messages to up to three email addresses.



# ContactAgent



- Master Unit:**
- 8 contact (digital) inputs
  - 2 Form-C relay outputs
  - TCP/IP, SNMP
  - Built-in web pages
  - Email client

- RIM Module:**
- 6 digital/analog inputs
    - Input mode user-definable
    - Analog mode supports DC or RMS measurement
    - Programmable analog alarm threshold
  - Built-in temperature sensor; humidity optional
  - Local utility AC monitoring (sensor supplied)

- ROM Module:**
- 4 Form-C latching relay outputs
    - State is maintained during loss of power
  - Built-in temperature sensor; humidity optional
  - Local utility AC monitoring (sensor supplied)

## Point of Use Architecture:

ContactAgent's modular and expandable architecture lets you place measurement modules close to the device that they monitor or control, simplifying wiring, minimizing false triggering from local noise sources and optimizing the reliability of the installation.

## Web-Based Configurations and Control:

ContactAgents built-in web server allows you to configure all monitoring modes and alarm thresholds easily and intuitively. Digital (contact) inputs can be individually set up to make alarms on state changes, and the 'normal' and 'alarm' states can be user-defined. Analog inputs can be bracketed by alarm thresholds.

## User-Defined Analog Scaling:

Each analog input can have individual user-defined scale factors applied. For example, an input that varies from 10 to 12 Vdc can be made to display in user-definable scaleable units such as "5.7-9.5 dB".

## Fail-Safe Relay Outputs:

The ROM module's controllable FORM-C relay output contacts are mechanically latched, to prevent a change in the contact state during a loss of power.

## SNMP Interface:

ContactAgents industry-standard SNMP interface gives you complete control to monitor and manage installations and equipment without locking you into proprietary software. Most SNMP compliant manager software can easily be made to work with ContactAgent.



## ContactAgent

### Specifications

#### Master Unit

Number of Inputs	8 Digital (Contact Closure)
Input Electrical	1 ma max closed-switch current
Number of Outputs	2 Form-C contact sets; state not preserved on power failure
Output Electrical	60V max; 5A
Slave Unit Interface	RS-485/RJ-45 connector
Operating Power	5Vdc from supplied wall-mount power supply
Network Interface	10/100 Ethernet
Protocols	TCP/IP, SMTP, HTTP, SMTP, DHCP, TFTP
Dimensions (WxDxH)	8" x 4.25" x 1.5" (rack mountable)

\* SNMP MIB documentation available upon request.

#### RIM Module

Number of Inputs	6 Digital/analog (user-definable)
Analog Measurements	+/- 12Vdc, 0 to 8Vrms
Temperature Sensor	Standard, +/- 2°C from -40°C to +80°C
Humidity Sensor	Optional +/- 3% accuracy from 20% RH to 80% RH, +/-5% accuracy from 0 to 19% RH and 81 to 100% RH
Max # Units	4 RIM modules per Master Unit
Interface to Master	RS-485 on RJ-45 connector, power supplied via daisy chain
AC Line Measurement	Optional 90 to 140 Vac, RMS, sine, 50/60Hz

#### ROM Module

Number of Outputs	4 Form-C contacts, state-preserved on power failure
Output Electrical	60V max, 2A
Temperature Sensor	Standard, +/- 2°C from -40°C to +80°C
Humidity Sensor	Optional +/- 3% accuracy from 20% RH to 80% RH, +/-5% accuracy from 0 to 19% RH and 81 to 100% RH
Max # Units	RS-485 on RJ-45 connector, power supplied via daisy chain

### Part Numbers

PBT-CA-1	Std ContactAgent
PBT-CA-1-R	RIM enabled ContactAgent
PBT-RIM-1	Expansion module (analog and digital inputs); includes temperature sensor
PBT-RIM-1-H	Expansion module (analog and digital inputs); includes temperature and Humidity sensor
PBT-WT-1	Switching regulated PS (for SpecialAgent and ContactAgent only)
PBT-RK-1	19" rack shelf
PBT-PRG-USB	Programming adaptor

For contact information visit [www.alpha.com](http://www.alpha.com)

#### The Alpha Group >

North America	Europe, Middle East & Africa		Asia Pacific	Latin & South America
USA Tel: +1 360 647 2360 Fax: +1 360 671 4936	Cyprus Tel: +357 25 375 675 Fax: +357 52 359 595	Germany Tel: +49 9122 79889 0 Fax: +49 9122 79889 21	Lithuania Tel: +370 5 210 5291 Fax: +370 5 210 5292	P.R. China Tel: +852 2736 8663 Fax: +852 2199 7988
Canada Tel: +1 604 430 1476 Fax: +1 604 430 8908	Russia Tel: +7 495 925 9844 Fax: +7 495 916 1349	United Kingdom Tel: +44 1279 501110 Fax: +44 1279 659870		Contact USA office