

Security Bar Field Installation Instructions

For FPE, UPE-3, UPE-6, UPE-M3, UPE-M6, PN Series and CE Series Enclosures

Each security bar kit contains the parts and accessories needed to secure one enclosure door. Enclosures with both a front and back door, require two kits (expect where noted below). Detailed placement specifications for each supported enclosure are in the Security Bar Field Installation Manual (Search for P/N 745-847-C1-001) available at www.alpha.com.



Only qualified personnel should complete this installation. Irreparable damage may occur to the enclosure or equipment if not installed correctly.

Enclosure	Color	Alpha Part Number	# of Required Kits	Kit Components Description (Qty)	
UPE	Seafoam Green	745-847-20	1	<ul style="list-style-type: none"> • Lock Bracket (2) • Side Bracket (4) • Security Bar (2) • Lock Guard (2) • Carriage Bolt 1/4"-20X3/4" (12) • Lock Washer 1/4" (12) • Flat Washer 1/4" (12) • Hex Nut 1/4"-20 (12) 	
	Gray	745-847-21			
PN	Seafoam Green	745-847-20	2		
	Gray	745-847-21			
CE	Seafoam Green	745-847-20	2		
	Gray	745-847-21			
FPE	Seafoam Green	745-847-22	1		<ul style="list-style-type: none"> • Lock Bracket (4) • Side Bracket (8) • Security Bar (4) • Lock Guard (4) • Carriage Bolt 1/4"-20X3/4" (24) • Lock Washer 1/4" (24) • Flat Washer 1/4" (24) • Hex Nut 1/4"-20 (24)
	Gray	745-847-23			
	Pine Green	745-847-24			
	White	745-847-25			

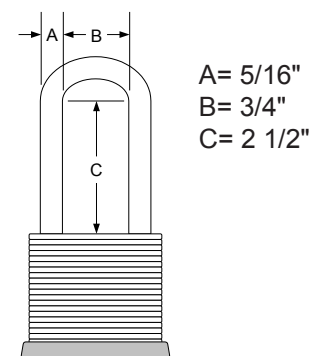


Figure 1, Lock Dimensions

Tools and Materials Required

- Hand Drill
- Center Punch
- 4-foot Level
- 7/16" Socket Driver with Extension
- 1/8" Drill Bit
- #K (9/32" or .281") Drill Bit
- Tape Measure
- Masking Tape
- Pencil
- Utility Knife
- Vacuum (To remove drill swarf from cabinet interior)
- Lock (see Fig. 1 for dimensions)

The installation outlined in this document applies to each of the supported enclosures. See Page 2 for installation detail figures. Lock dimensions must conform to Figure 1.

If necessary, placement specifications for each supported enclosure are in the Security Bar Field Installation Manual (Alpha P/N 745-847-C1-001) available at www.alpha.com.

Installing the Security Bar

1. Using a 4-ft level and a pencil, mark the enclosure where the top of the side brackets will be placed, see Figure 2.
2. Position the side bracket and center punch the holes
3. Remove the door. Protect any electronic equipment from drill shavings before drilling, and ensure the drill bit will not contact any equipment as it passes into the enclosure.

4. Pilot drill the side bracket holes using the 1/8" drill bit.
5. Drill the two top holes using a #K drill bit. See Figure 3.
6. Using the side brackets as templates, mark and drill the two bottom holes.
7. Install the side brackets, see Figure 4, and replace the door.
8. Install the security bar in the side brackets. Position and use the lock bracket as a template for marking its holes.
9. Drill the lock bracket holes.

NOTE: Where necessary, use the utility knife to cut and remove insulation from the hardware area.

10. Install the lock bracket. See Figure 5.
11. Install the other Security Bar Side and Lock Brackets by repeating Steps 1–8.
12. Remove any metal shavings.
13. Secure the enclosure with the Security Bar, Lock and Lock Guard. See Figure 6.

NOTE: On enclosure doors with louvers, position the Lock Bracket to either side of the louvers. See Page 2.

Detailed specifications for each supported enclosure are in the security bar field installation manual (search for Alpha part number 745-847-C1-001) available at www.Alpha.com. The FPE enclosure is shown below as an example.

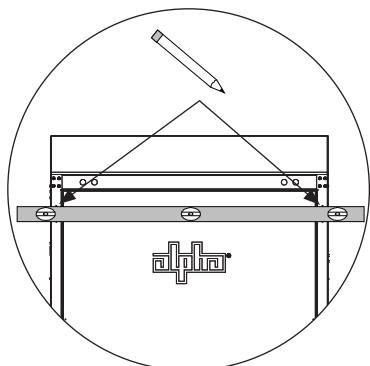


Figure 2, Marking Bracket Locations

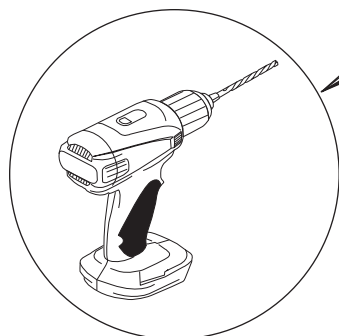
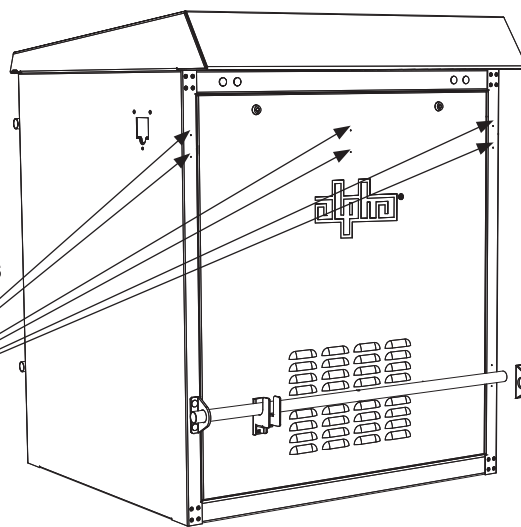


Figure 3, Drill Locations



(FPE Enclosure shown as an example)

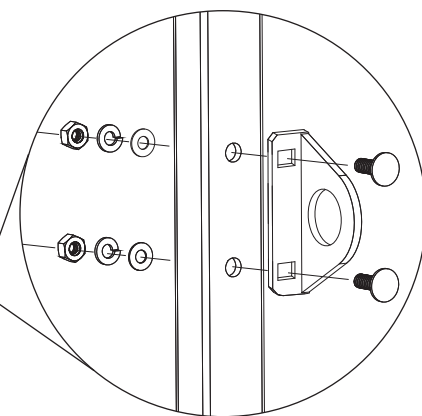


Figure 4, Side Bracket Installation
(Left bracket installation is mirrored)



NOTE:

The security bar and lock bracket lock holes must line up before securing the lock bracket to the enclosure door, see Figure 5.

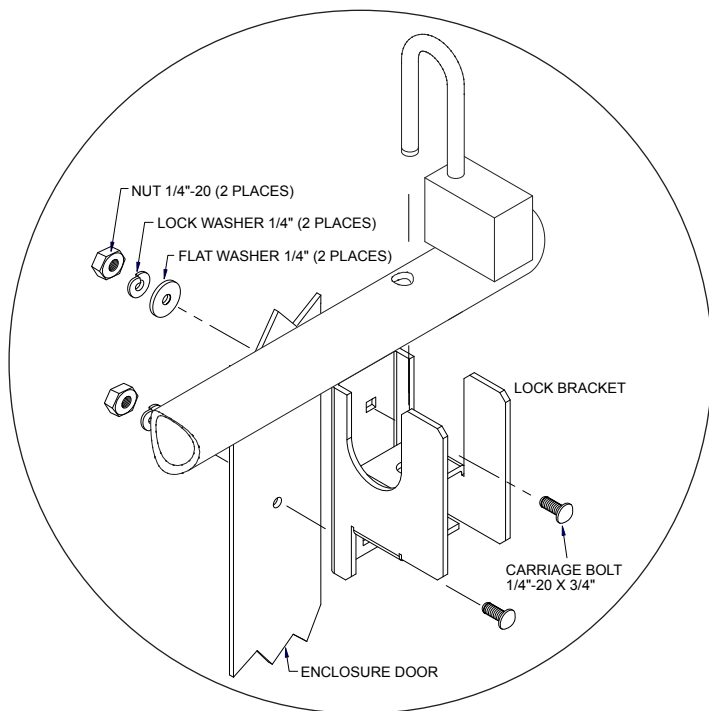


Figure 5, Lock Bracket Alignment and Installation

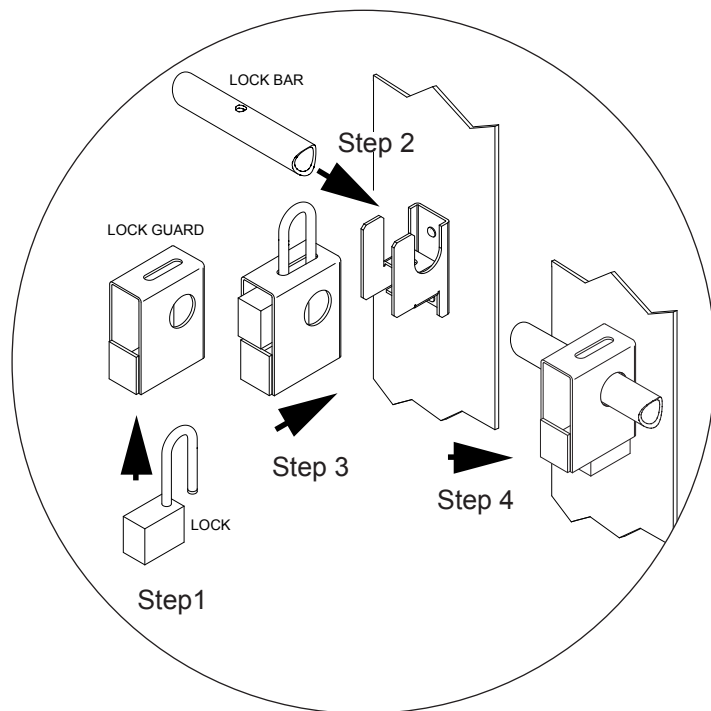


Figure 6, Lock Guard Installation

For more information visit www.alpha.com

United States
Canada

Bellingham, Washington Tel: 360 647 2360 Fax: 360 671 4936
Burnaby, British Columbia Tel: 604 430 1476 Fax: 604 430 8908