

Battery Compartment Security Cover Installation Instructions

Battery Compartment Security Cover - 746-615-20

Materials List

Alpha P/N	Description	Qty
606-974-20-001	Battery Compartment Security Cover	1
606-949-G1-001	Weld Bracket	1
630-098-12	5/16"-18 x 3/4" Cap Screw	2
633-015-12	1.5" Flat Washer	2
633-135-12	.687" Flat Washer	2
633-056-12	Lock Washer	2
634-019-12	Hex Nut	2

Tools Required:

- 3/8" Drive Hand Drill with .404" (Y) Drill Bit or Center Punch
- C-Clamp or equivalent (2)
- 5/16" Torque Wrench
- Personal Protective Equipment
- Welding equipment suitable for AISI 304 Stainless Steel



Watch the installation video



WARNING! GENERAL AND ELECTRICAL HAZARD

- Exercise **EXTREME CAUTION** when using tools on the enclosure. Remove equipment, wiring and batteries from the working area.
- Lead-acid batteries contain dangerous voltages, currents and corrosive material. Only authorized personnel can perform battery installation, maintenance, service and replacement.

1. With the batteries removed, slide the battery tray out.
2. Drill through the two existing mounting locations on the enclosure using the .404" drill bit (See Fig. 1).

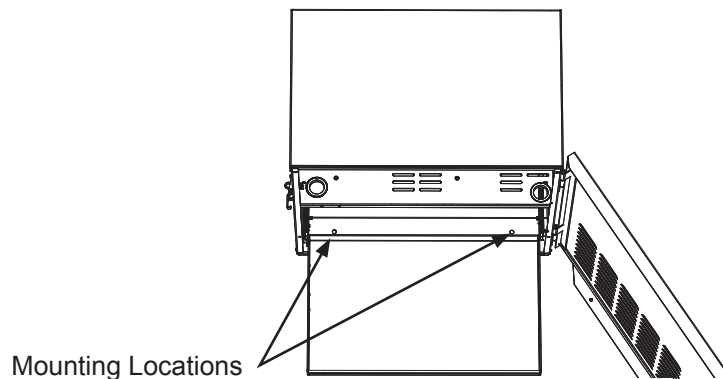


Fig. 1, Mounting Locations

3. Install the weld-bracket on the bottom of the enclosure using the cap screws, flat washers, lock washers and hex nuts (See Fig. 2).
4. Using the torque wrench, tighten the weld-bracket into place, torquing to 11-16 ft-lbs (14.9 - 21.7Nm).

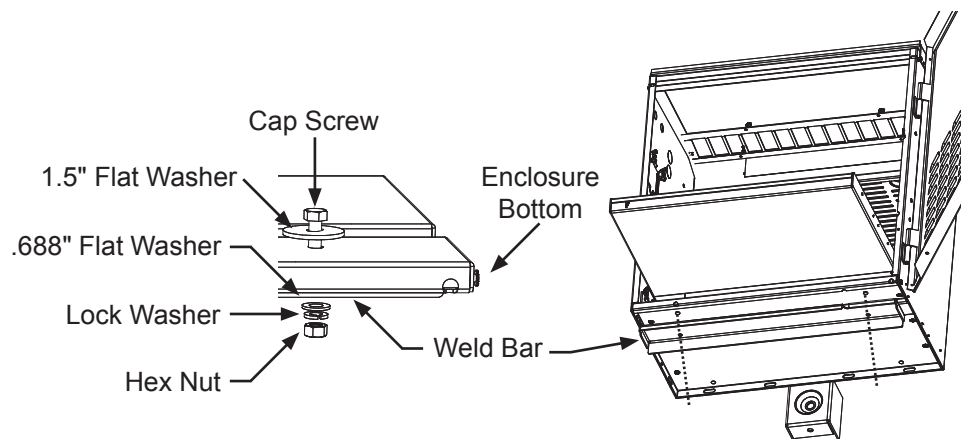


Fig. 2, Hardware Stackup

5. Install and re-wire the batteries.
6. Slide the battery tray into the enclosure.
7. Affix the top of the shield into position and press the bottom into place along the weld-bracket (See Fig. 3).

NOTICE:

The shield must be handled at an angle during the installation to fit it into place along the bottom of the enclosure.

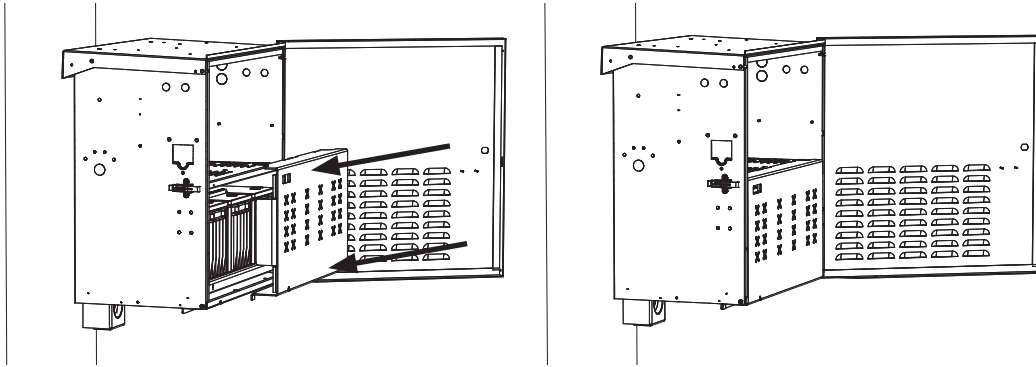


Fig. 3, Shield Placement

8. Use the two clamps to stabilize the weld bracket and shield. Weld a continuous bead along the seam of the shield and the weld-bracket (See the dotted line Fig. 4 for the welding seam).

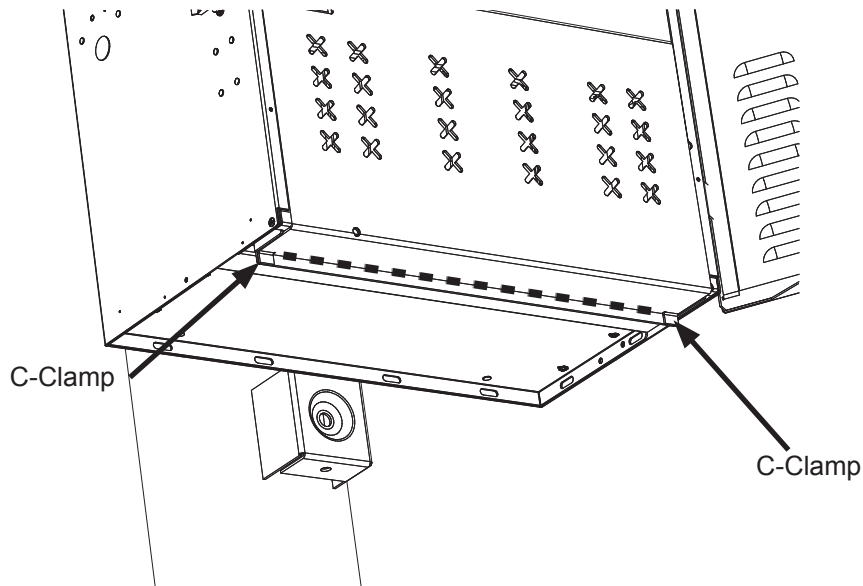


Fig. 4, Welding Seam

Worldwide Corporate Offices

North America

Tel: +1 360 647 2360
Fax: +1 360 671 4936

Europe

Tel: +49 9122 79889 0
Fax: +49 9122 79889 21

Latin America

Tel: +561 792.9651
Fax: +561 792.7157

Asia Pacific

Tel: +852 2736.8663
Fax: +852 2199.7988