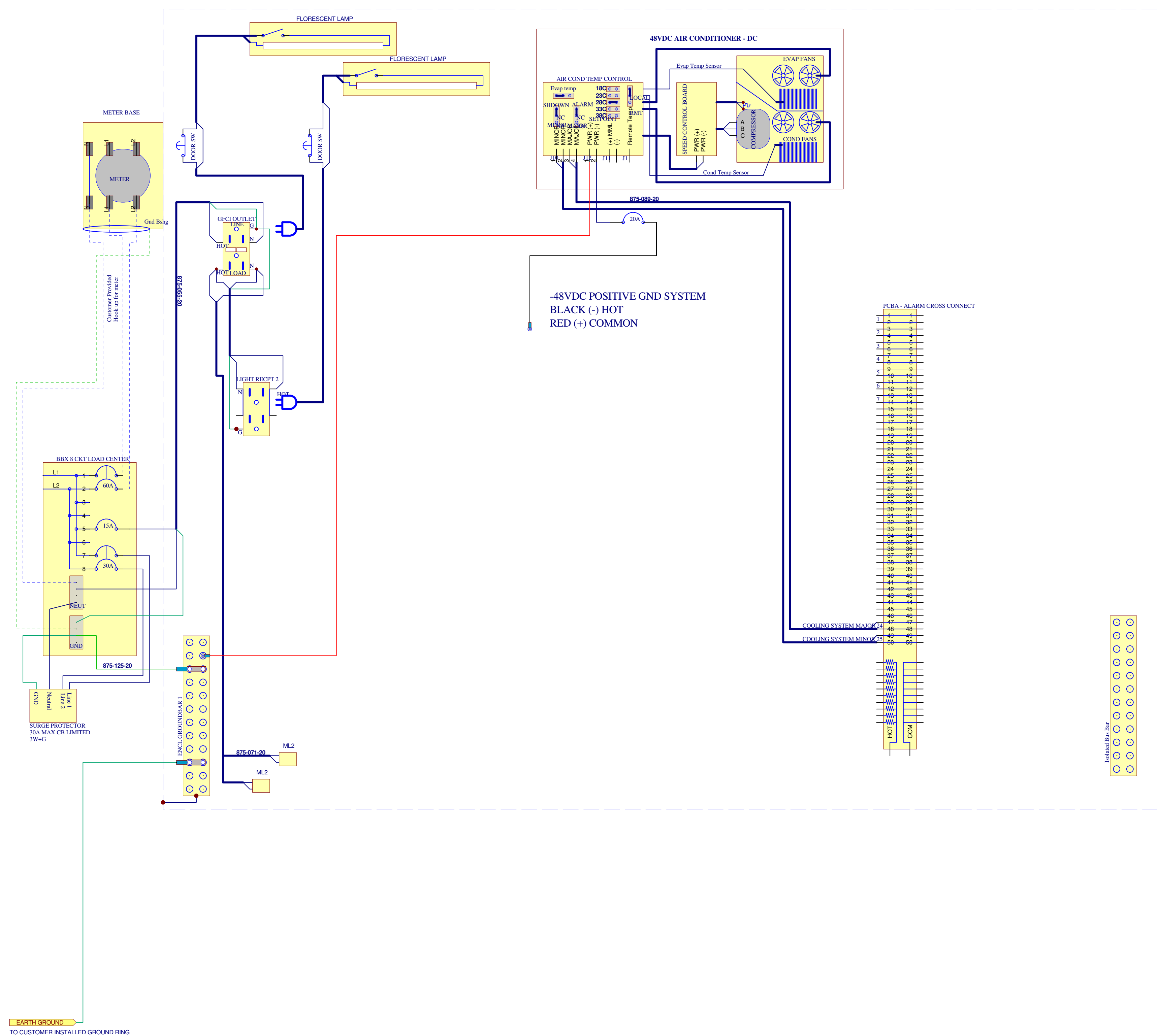


REVISIONS						
LTR	DESCRIPTION	ENGR	DWN	CHK	DATE	APVD
A	ECO 06-648 RELEASED	DJ	DJ	FT	5-15-06	DM
B	ECO 06-826 ADD NOTE 3 & SHEET 12 (JAMACA, BARBADOS)	DJ	DJ	FT	10-9-06	DM
C	ECO 07-656 UPDATE SURGE PROTECTOR WIRING OPTIONS	DJ	DJ		5-24-07	

PRIMARY ENCLOSURE



Model RMB-48 with options:
 1 Enclosure with one 48VDC Air Cond Door
 100A AC Service Load Center 8-position (External Mount)
 Surge Protector 3W+G 30A Max CB Limited
 GFCI outlets
 AC Lights
 Alarm Terminal Board
 Enclosure Intrusion Sensors

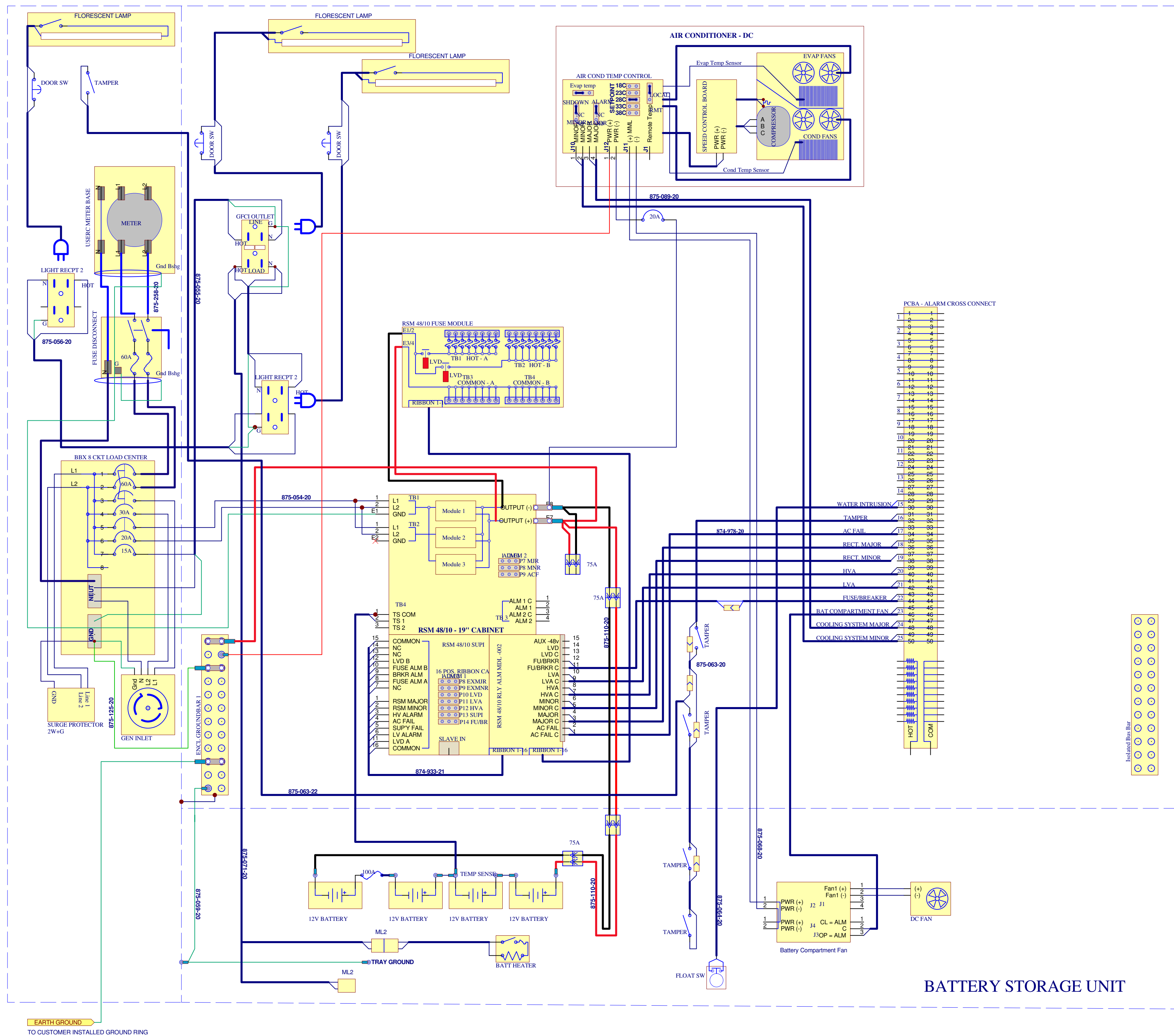
3. SYSTEMS WITH 1KW OR 1.8KW CORDEX RECTIFIER OPTIONS MAY REQUIRE AC GENERATOR INLET, TYPE IEC 309-2 WITH 60AMP MINIMUM BREAKER SIZE IF SYSTEM LOAD IS GREATER THEN 5KW.
2. WHEN A SEALED MINIBAY EQUIPMENT ENCLOSURE IS USED TO HOUSE BATTERY PACKS, BATTERIES MUST BE VALVE REGULATED AND PROVISIONS SHOULD BE MADE FOR ADIQUIT HYDROGEN VENTING.
1. LENGTH OF WIRES CAN BE CUT TO FIT IF REQUIRED. REMAKE TERMINATE USING THE SAME ALPHA WORKMANSHIP & PARTS.

NOTE: UNLESS SPECIFIED OTHERWISE

DRAWN	D. JOHNSTON	5-15-06		ALPHA TECHNOLOGIES	
CHK	F. TARI	6-21-06			
ENGR	D. JOHNSTON	5-15-06			
MANUF	B. GRIFFITH	6-29-06			
Q.A.	D. MATTS	6-29-06			
PLOTTED ON: 25-May-2007 14:52:06			TITLE: SCHEMATIC RADIUM MINI SYSTEM		
THESE DESIGNS & SPECIFICATIONS ARE THE PROPERTY OF ALPHA TECHNOLOGIES AND ARE CONFIDENTIAL AND PROPRIETARY. THE DRAWINGS SHALL NOT BE COPIED OR USED FOR ANY PURPOSE WITHOUT ITS WRITTEN CONSENT.			ISSUED DATE:	DRAWING NO: 044-001-05	REV: C
			FILE REF: 04400105_C_W01.SCH	SIZE: D	SHEET 1 OF 12

PRIMARY
SIDE CHAMBER

PRIMARY ENCLOSURE



Model RMB-48 with options:

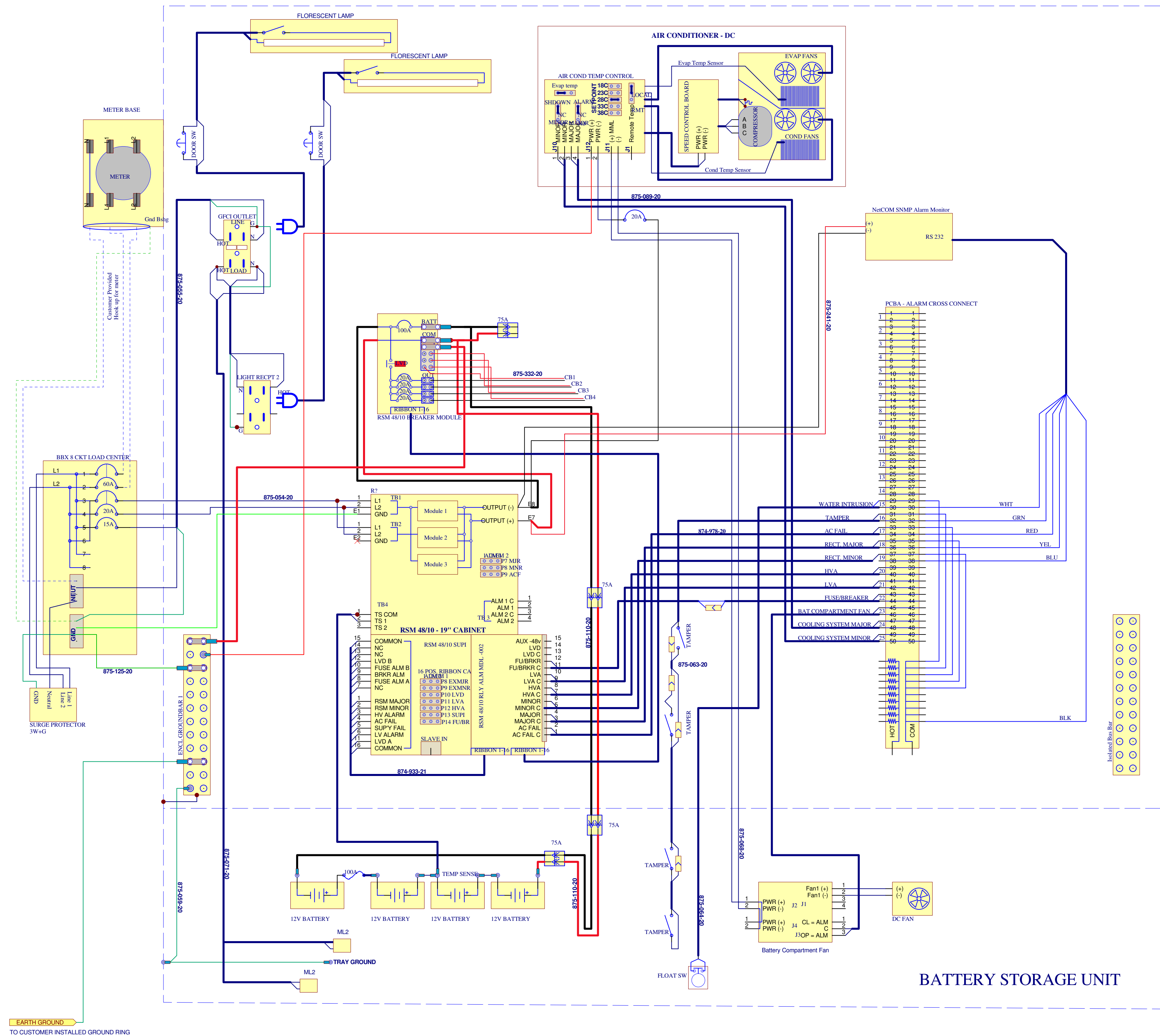
- 1 Enclosure with one 48VDC Air Cond Door
- 1 Side Chamber
- 1 Battery Storage Unit
- EUSERC Meter w/60A FBX 12-position distribution
- Surge Protector 2W+G
- AC Gen Inlet
- GFCI outlets
- Battery Heater Mat
- AC Lights
- RSM 48/10 3 Modul Rectifier Shelf (W/GMT Fuse Dist)
- Alarm Terminal Board
- Enclosure Intrusion Sensors
- Water Intrusion Sensor

3. SYSTEMS WITH 1KW OR 1.8KW CORDEX RECTIFIER OPTIONS MAY REQUIRE AC GENERATOR INLET, TYPE IEC 309-2 WITH 60AMP MINIMUM BREAKER SIZE IF SYSTEM LOAD IS GREATER THEN 5KW.
2. WHEN A SEALED MINIBAY EQUIPMENT ENCLOSURE IS USED TO HOUSE BATTERY PACKS, BATTERIES MUST BE VALVE REGULATED AND PROVISIONS SHOULD BE MADE FOR ADIQUIT HYDROGEN VENTING.
1. LENGTH OF WIRES CAN BE CUT TO FIT IF REQUIRED. REMAKE TERMINATE USING THE SAME ALPHA WORKMANSHIP & PARTS.

NOTE: UNLESS SPECIFIED OTHERWISE

DRAWN	D. JOHNSTON	5-15-06	<p>ALPHA TECHNOLOGIES</p>
CHK			
ENGR	D. JOHNSTON	5-15-06	
MANUF			
Q.A.			
PLOTTED ON: 25-May-2007 14:27:35			TITLE: SCHEMATIC RADIUM MINIBAY SYSTEM
THESE DESIGNS & SPECIFICATIONS ARE THE PROPERTY OF ALPHA TECHNOLOGIES AND ARE CONFIDENTIAL AND PROPRIETARY. THE DRAWINGS SHALL NOT BE COPIED OR USED FOR ANY PURPOSE WITHOUT ITS WRITTEN CONSENT.			ISSUED DATE: DRAWING NO: 044-001-05 REV: C
FILE REF: 04400105_c_w02.sch			SIZE: D SHEET 2 OF 12

PRIMARY ENCLOSURE

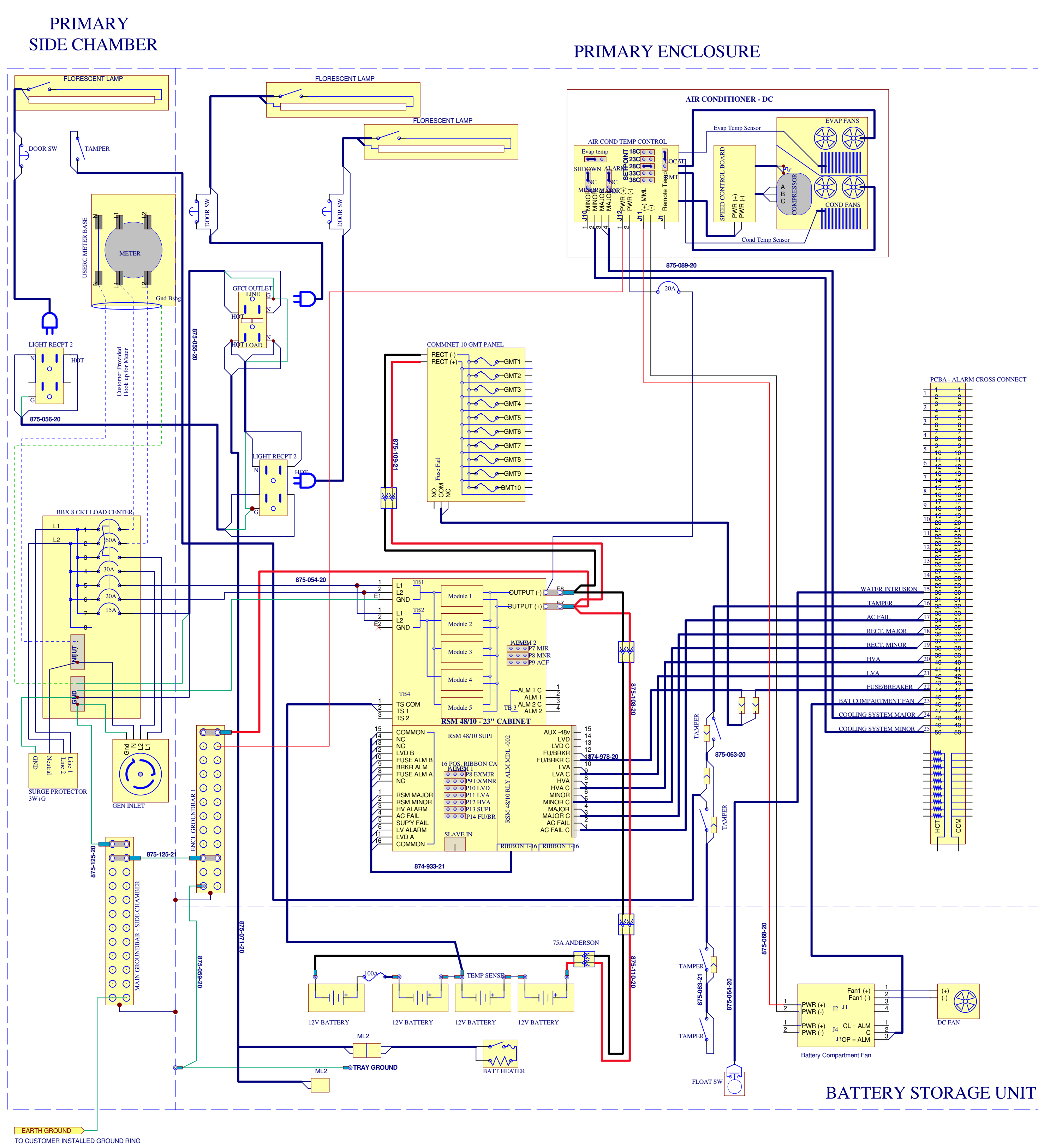


- Model RMB-48 with options:**
- 1 Enclosure with one 48VDC Air Cond Door
 - 1 Battery Storage Unit
 - 100A AC Service Load Center 8-position (External Mount)
 - Surge Protector 3W+G
 - GFCI outlets
 - AC Lights
 - RSM 48/10 3 Modual Rectifier Shelf (Circuit Breaker Distribution)
 - Alarm Terminal Board
 - Enclosure Intrusion Sensors
 - Water Intrusion Sensor
 - NetCom SNMP Alarm Monitor

3. SYSTEMS WITH 1KW OR 1.8KW CORDEX RECTIFIER OPTIONS MAY REQUIRE AC GENERATOR INLET, TYPE IEC 309-2 WITH 60AMP MINIMUM BREAKER SIZE IF SYSTEM LOAD IS GREATER THEN 5KW.
2. WHEN A SEALED MINIBAY EQUIPMENT ENCLOSURE IS USED TO HOUSE BATTERY PACKS, BATTERIES MUST BE VALVE REGULATED AND PROVISIONS SHOULD BE MADE FOR ADIQUIT HYDROGEN VENTING.
1. LENGTH OF WIRES CAN BE CUT TO FIT IF REQUIRED. REMAKE TERMINATE USING THE SAME ALPHA WORKMANSHIP & PARTS.

NOTE: UNLESS SPECIFIED OTHERWISE

DRAWN	D. JOHNSTON	5-15-06	<p>ALPHA TECHNOLOGIES</p>
CHK			
ENGR	D. JOHNSTON	5-15-06	
MANUF			
Q.A.			
PLOTTED ON: 25-May-2007 14:29:33			<p>TITLE: SCHEMATIC RADIUM MINI BAY SYSTEM</p>
THESE DESIGNS & SPECIFICATIONS ARE THE PROPERTY OF ALPHA TECHNOLOGIES AND ARE CONFIDENTIAL AND PROPRIETARY. THE DRAWINGS SHALL NOT BE COPIED OR USED FOR ANY PURPOSE WITHOUT ITS WRITTEN CONSENT.			<p>ISSUED DATE:</p> <p>DRAWING NO: 044-001-05</p> <p>REV: C</p>
FILE REF: 04400105_c_w03.sch			<p>SIZE: D</p> <p>SHEET 3 OF 12</p>



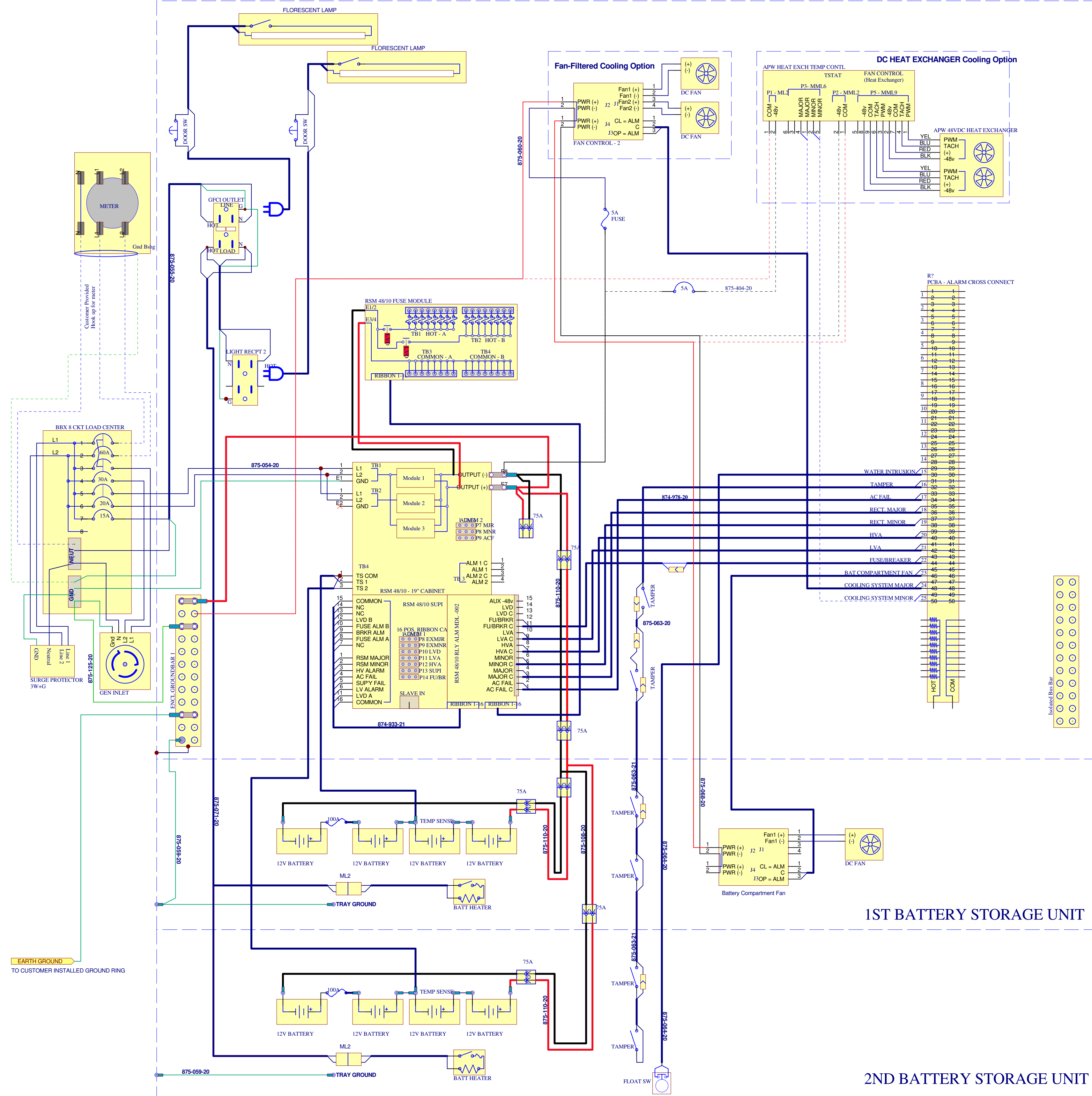
- Model RMB-48 with options:**
- 1 Enclosure with one 48VDC Air Cond Coord
 - 1 Side Chamber
 - 1 Battery Storage Unit
 - 100A AC Service Load Center 8-position
 - Surge Protector 3W+G
 - AC Gen Inlet
 - GFCI Outlets
 - Battery heater Mats
 - AC Lights
 - RSM 48/10 5 Modular Rectifier Shelf
 - ComNet 10 GMT Fuse Panel 50amp
 - Alarm Terminal Board
 - Enclosure Intrusion Sensors
 - Water Intrusion Sensor

3. SYSTEMS WITH 1KW OR 1.8KW CORDEX RECTIFIER OPTIONS MAY REQUIRE AC GENERATOR INLET, TYPE IEC 309-2 WITH 60AMP MINIMUM BREAKER SIZE IF SYSTEM LOAD IS GREATER THEN 5KW.
2. WHEN A SEALED MINIBAY EQUIPMENT ENCLOSURE IS USED TO HOUSE BATTERY PACKS, BATTERIES MUST BE VALVE REGULATED AND PROVISIONS SHOULD BE MADE FOR ADIQUIT HYDROGEN VENTING.
1. LENGTH OF WIRES CAN BE CUT TO FIT IF REQUIRED. REMAKE TERMINATE USING THE SAME ALPHA WORKMANSHIP & PARTS.

NOTE: UNLESS SPECIFIED OTHERWISE

DRAWN	D. JOHNSTON	5-15-06		ALPHA TECHNOLOGIES	
CHK					
ENGR	D. JOHNSTON	5-15-06			
MANUF					
Q.A.					
PLOTTED ON: 25-May-2007 14:30:23			TITLE: SCHEMATIC RADIUM MINIBAY SYSTEM		
THESE DESIGNS & SPECIFICATIONS ARE THE PROPERTY OF ALPHA TECHNOLOGIES AND ARE CONFIDENTIAL AND PROPRIETARY. THE DRAWINGS SHALL NOT BE COPIED OR USED FOR ANY PURPOSE WITHOUT ITS WRITTEN CONSENT.			ISSUED DATE:	DRAWING NO: 044-001-05	REV: C
			FILE REF: 04400105_C_W04.SCH	SIZE: D	SHEET 4 OF 12

PRIMARY ENCLOSURE

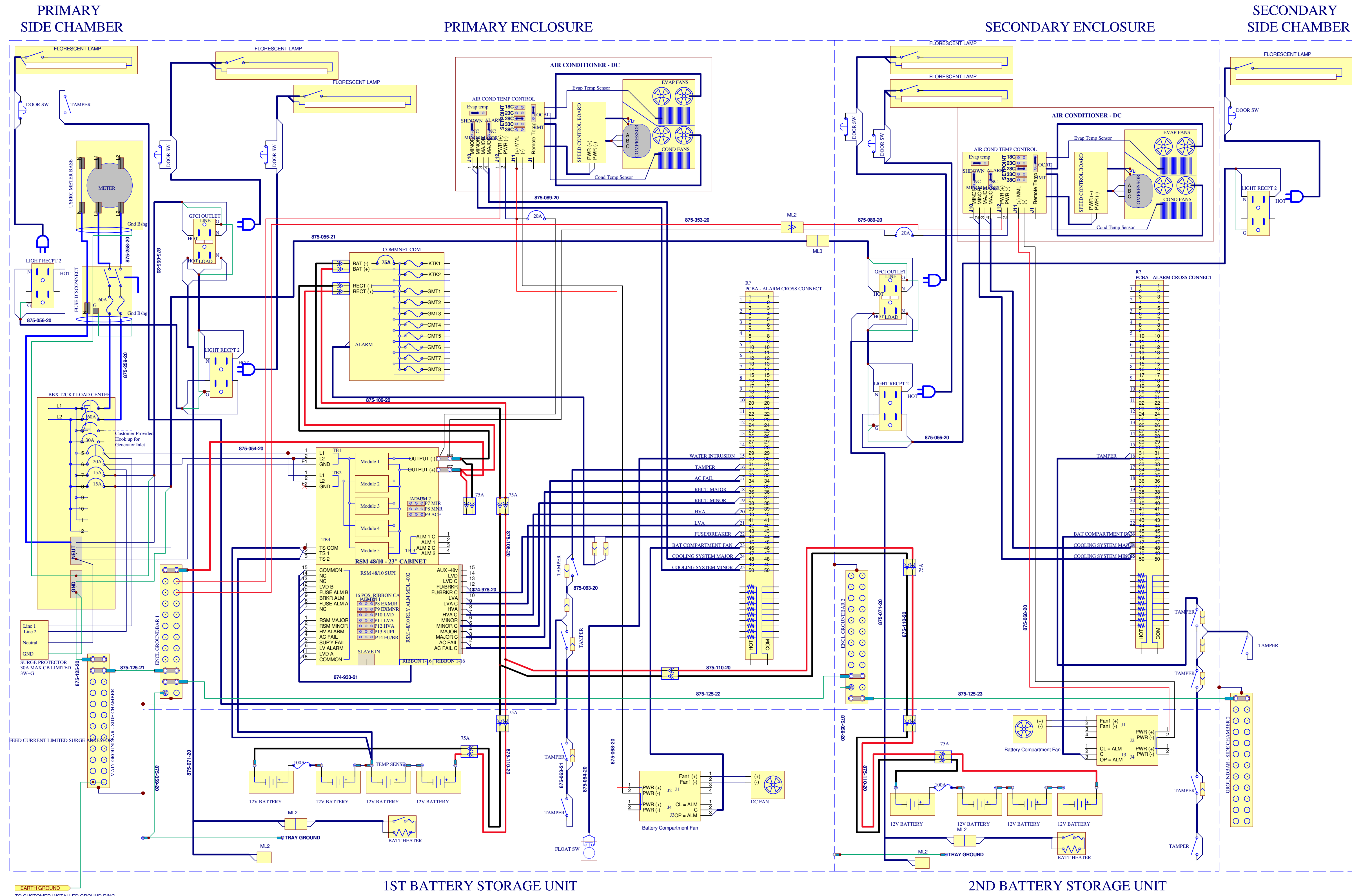


- Model RMB-48 with options:**
- (1) Enclosure with one 48VDC Fan Filter Door
 - Or (1) Enclosure with one 48VDC Heat Exchanger Door
 - (2) Battery Storage Units
 - 100A AC Service Load Center 8-position
 - Surge Protector 3W+G
 - AC Gen Inlet
 - GFCI outlets
 - Battery Heater Mat
 - AC Lights
 - RSM 48/10 3 Modual Rectifier Shelf (W/GMT Fuse Distribution)
 - Alarm Terminal Board
 - Enclosure Intrusion Sensors
 - Water Intrusion Sensor

3. SYSTEMS WITH 1KW OR 1.8KW CORDEX RECTIFIER OPTIONS MAY REQUIRE AC GENERATOR INLET, TYPE IEC 309-2 WITH 60AMP MINIMUM BREAKER SIZE IF SYSTEM LOAD IS GREATER THEN 5KW.
2. WHEN A SEALED MINIBAY EQUIPMENT ENCLOSURE IS USED TO HOUSE BATTERY PACKS, BATTERIES MUST BE VALVE REGULATED AND PROVISIONS SHOULD BE MADE FOR ADIQUIT HYDROGEN VENTING.
1. LENGTH OF WIRES CAN BE CUT TO FIT IF REQUIRED. REMAKE TERMINATE USING THE SAME ALPHA WORKMANSHIP & PARTS.

NOTE: UNLESS SPECIFIED OTHERWISE

DRAWN	D. JOHNSTON	5-15-06	 ALPHA TECHNOLOGIES
CHK			
ENGR	D. JOHNSTON	5-15-06	
MANUF			
Q.A.			
PLOTTED ON: 25-May-2007 14:31:09			TITLE: SCHEMATIC RADIUM MINIBAY SYSTEM
THESE DESIGNS & SPECIFICATIONS ARE THE PROPERTY OF ALPHA TECHNOLOGIES AND ARE CONFIDENTIAL AND PROPRIETARY. THE DRAWINGS SHALL NOT BE COPIED OR USED FOR ANY PURPOSE WITHOUT ITS WRITTEN CONSENT.			ISSUED DATE:
			DRAWING NO: 044-001-05
			REV: C
FILE REF: 04400105__C__W05.SCH			SIZE: D
			SHEET 5 OF 12

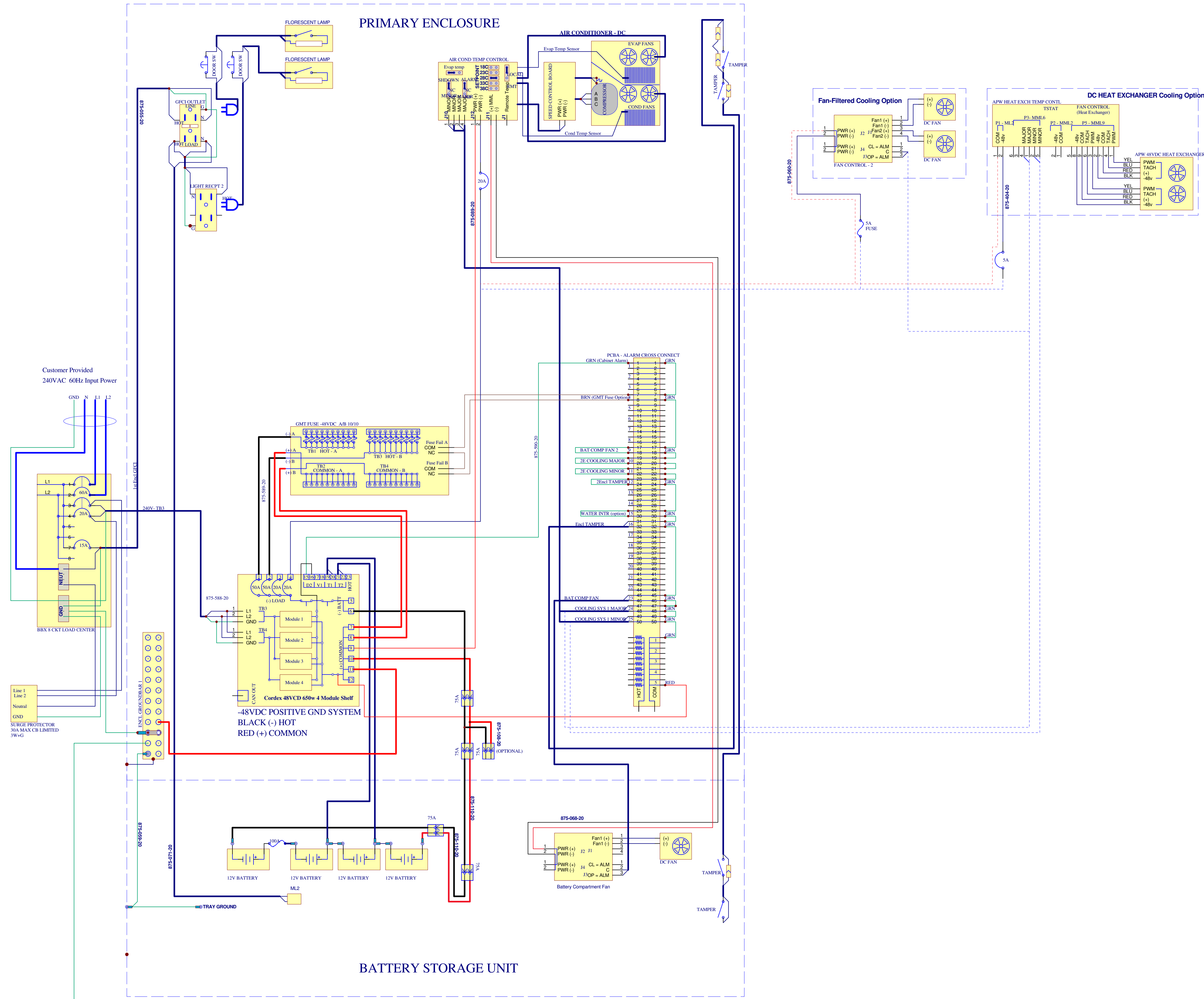


- Model RMB-48 with options:**
- 2 Enclosures with two 48VDC Air Cond Doors
 - 2 Side Chambers
 - 2 Battery Storage Units
 - EUSERC Meter w/60A FBX 12-position distribution
 - Surge Protector 3W+G 30A Max CB Limited
 - AC Gen Interlock (Customer provided feed)
 - GFCI outlets
 - Battery heater Mats
 - AC Lights
 - RSM 48/10 5 Modular Rectifier Shelf
 - KTK Panel Distribution
 - 2 Alarm Terminal Boards
 - Enclosure Intrusion Sensors
 - Water Intrusion Sensor

3. SYSTEMS WITH 1KW OR 1.8KW CORDEX RECTIFIER OPTIONS MAY REQUIRE AC GENERATOR INLET, TYPE IEC 309-2 WITH 60AMP MINIMUM BREAKER SIZE IF SYSTEM LOAD IS GREATER THEN 5KW.
2. WHEN A SEALED MINIBAY EQUIPMENT ENCLOSURE IS USED TO HOUSE BATTERY PACKS, BATTERIES MUST BE VALVE REGULATED AND PROVISIONS SHOULD BE MADE FOR ADIQUIT HYDROGEN VENTING.
1. LENGTH OF WIRES CAN BE CUT TO FIT IF REQUIRED. REMAKE TERMINATE USING THE SAME ALPHA WORKMANSHIP & PARTS.

NOTE: UNLESS SPECIFIED OTHERWISE

DRAWN	D. JOHNSTON	5-15-06	ALPHA TECHNOLOGIES	
CHK				
ENGR	D. JOHNSTON	5-15-06		
MANUF				
TITLE:			SCHEMATIC RADIUM MINIBAY SYSTEM	
PLOTTED ON: 25-May-2007 14:32:01				
THESE DESIGNS & SPECIFICATIONS ARE THE PROPERTY OF ALPHA TECHNOLOGIES AND ARE CONFIDENTIAL AND PROPRIETARY. THE DRAWINGS SHALL NOT BE COPIED OR USED FOR ANY PURPOSE WITHOUT ITS WRITTEN CONSENT.		ISSUED DATE:	DRAWING NO: 044-001-05	REV: C
FILE REF: 04400105_c_w06.SCH		SIZE: D	SHEET 6 OF 12	



Model: RMB-48 650W Cordex with options:

- Enclosure with 48VDC Air Cond Door
- 1 Battery Storage Unit
- 8-Space AC Load Center
- Surge Protector 3W+G 30A Max CB Limited
- 4 Module 650W Cordex Shelf with CB Dist and LVD
- GMT Fuse Panel 10A/10B, -48VDC
- 120VAC 60Hz GFCI outlets
- 120VAC 60Hz Lights
- Enclosure Intrusion Sensors
- Enclosure Alarm Terminal Board

3. SYSTEMS WITH 1KW OR 1.8KW CORDEX RECTIFIER OPTIONS MAY REQUIRE AC GENERATOR INLET, TYPE IEC 309-2 WITH 60AMP MINIMUM BREAKER SIZE IF SYSTEM LOAD IS GREATER THEN 5KW.
2. WHEN A SEALED MINIBAY EQUIPMENT ENCLOSURE IS USED TO HOUSE BATTERY PACKS, BATTERIES MUST BE VALVE REGULATED AND PROVISIONS SHOULD BE MADE FOR ADIQUIT HYDROGEN VENTING.
1. LENGTH OF WIRES CAN BE CUT TO FIT IF REQUIRED. REMAKE TERMINATE USING THE SAME ALPHA WORKMANSHIP & PARTS.

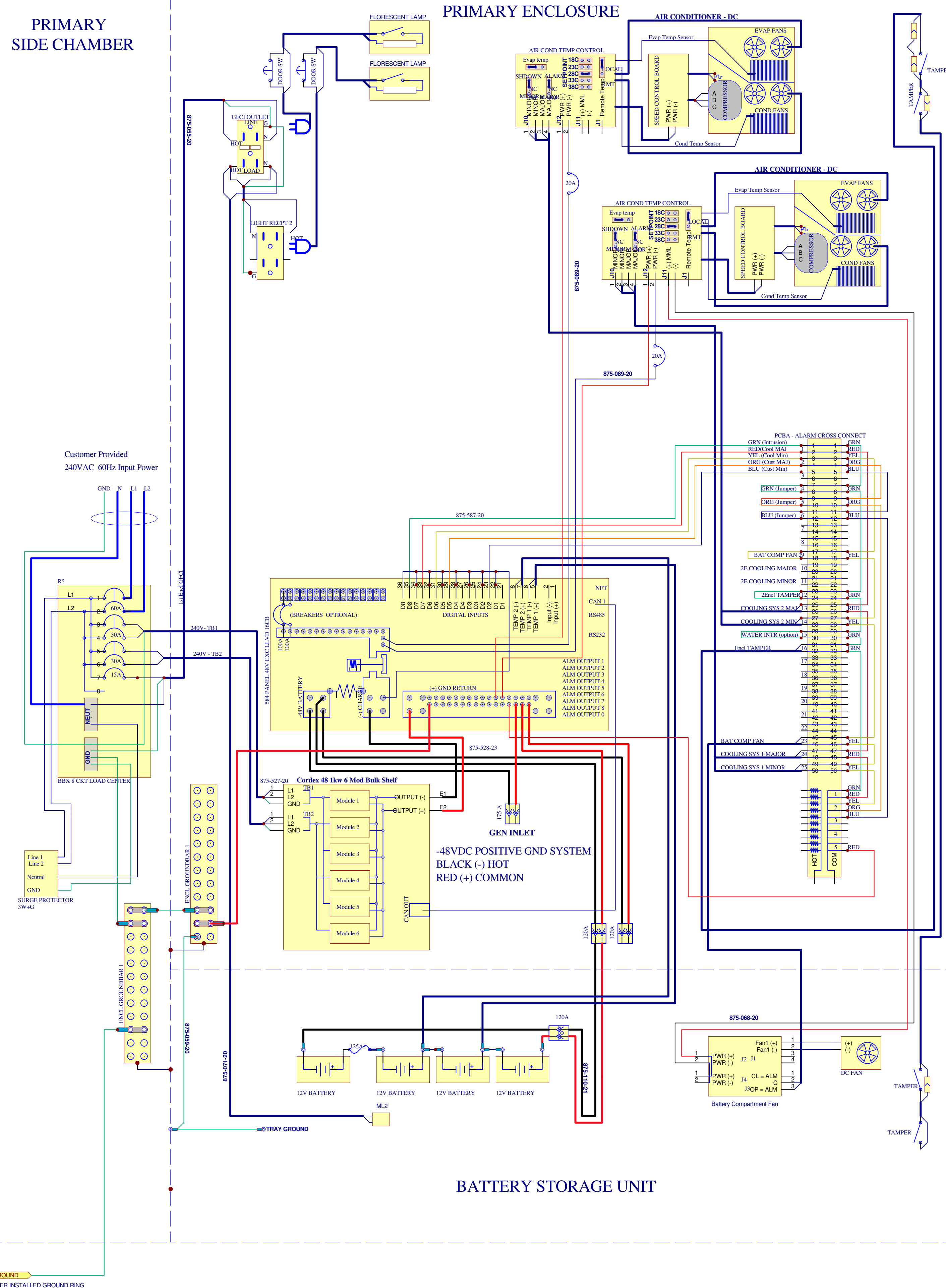
NOTE: UNLESS SPECIFIED OTHERWISE

DRAWN D. JOHNSTON	5-15-06		ALPHA TECHNOLOGIES	
CHK				
ENGR D. JOHNSTON	5-15-06	TITLE: SCHEMATIC RADIUM MINIBAY SYSTEM		
MANUF				
Q.A.				
PLOTTED ON: 5-Jun-2007 11:07:55		ISSUED DATE:	DRAWING NO: 044-001-05	REV: C
THESE DESIGNS & SPECIFICATIONS ARE THE PROPERTY OF ALPHA TECHNOLOGIES AND ARE CONFIDENTIAL AND PROPRIETARY. THE DRAWINGS SHALL NOT BE COPIED OR USED FOR ANY PURPOSE WITHOUT ITS WRITTEN CONSENT.		FILE REF: 04400105_C_W07.SCH	SIZE: D	SHEET 7 OF 12

PRIMARY
SIDE CHAMBER

PRIMARY ENCLOSURE

AIR CONDITIONER - DC



Model: RMB-48, 1K CORDEX with options:

- Enclosure with two 48VDC air cond doors
- Single Side Chamber
- 1 Battery Storage Unit
- 8-Space AC Load Center
- Surge Protector 3W+G
- 6 Module 1KW Cordex Shelf with Controller
- 584 DIST Panel with Load LVD, 16 BKR POS
- 120VAC 60Hz GFCI outlets
- 120VAC 60Hz Lights
- Enclosure Intrusion Sensors
- Enclosure Alarm Terminal Board

3. SYSTEMS WITH 1KW OR 1.8KW CORDEX RECTIFIER OPTIONS MAY REQUIRE AC GENERATOR INLET, TYPE IEC 309-2 WITH 60AMP MINIMUM BREAKER SIZE IF SYSTEM LOAD IS GREATER THEN 5KW.
2. WHEN A SEALED MINIBAY EQUIPMENT ENCLOSURE IS USED TO HOUSE BATTERY PACKS, BATTERIES MUST BE VALVE REGULATED AND PROVISIONS SHOULD BE MADE FOR ADIQUIT HYDROGEN VENTING.
1. LENGTH OF WIRES CAN BE CUT TO FIT IF REQUIRED. REMAKE TERMINATE USING THE SAME ALPHA WORKMANSHIP & PARTS.

NOTE: UNLESS SPECIFIED OTHERWISE

DRAWN D. JOHNSTON	5-15-06		ALPHA TECHNOLOGIES	
CHK				
ENGR D. JOHNSTON	5-15-06	TITLE: SCHEMATIC RADIUM MINIBAY SYSTEME		
MANUF		ISSUED DATE:	DRAWING NO: 044-001-05	REV: C
Q.A.		FILE REF: 04400105_c_w08.sch	SIZE: D	SHEET 8 OF 12
PLOTTED ON: 25-May-2007 14:35:39		<small>THESE DESIGNS & SPECIFICATIONS ARE THE PROPERTY OF ALPHA TECHNOLOGIES AND ARE CONFIDENTIAL AND PROPRIETARY. THE DRAWINGS SHALL NOT BE COPIED OR USED FOR ANY PURPOSE WITHOUT ITS WRITTEN CONSENT.</small>		

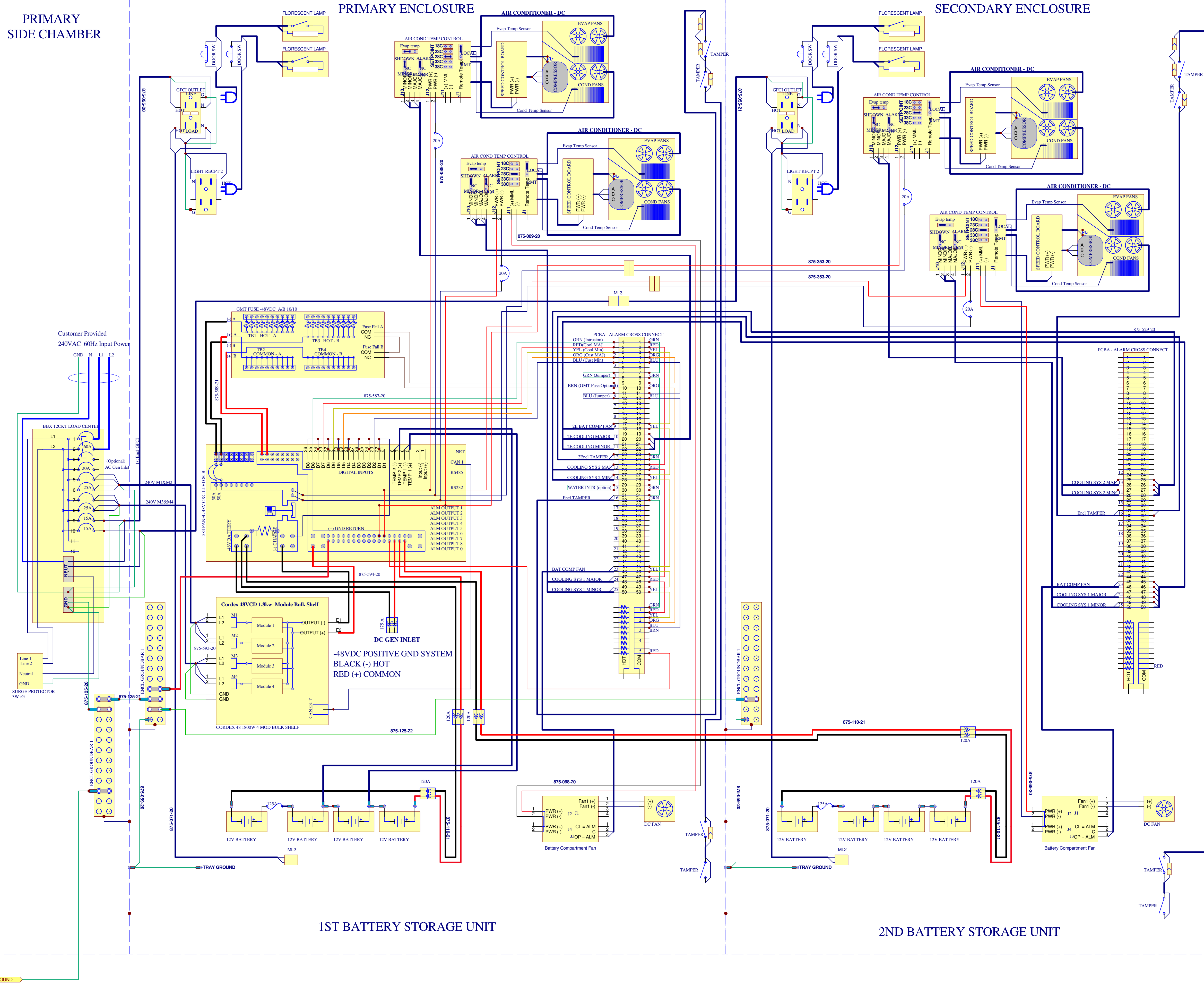
PRIMARY SIDE CHAMBER

PRIMARY ENCLOSURE

SECONDARY ENCLOSURE

1ST BATTERY STORAGE UNIT

2ND BATTERY STORAGE UNIT



- Model: RMB-48 1.8K CORDEX with options:**
- Double Wide Enclosure with (4) 48VDC Air Cond Doors
 - Single Side Chamber
 - 2 Battery Storage Unit
 - 12-Space AC Load Center
 - Surge Protector 3W+G
 - 4 Module 1.8KW Cordex Shelf with Controller
 - 584 DIST Panel with Load LVD, 8 BKR POS
 - 120VAC 60Hz GFCI outlets
 - 120VAC 60Hz Lights
 - Enclosure Intrusion Sensors
 - 2 Enclosure Alarm Terminal Boards

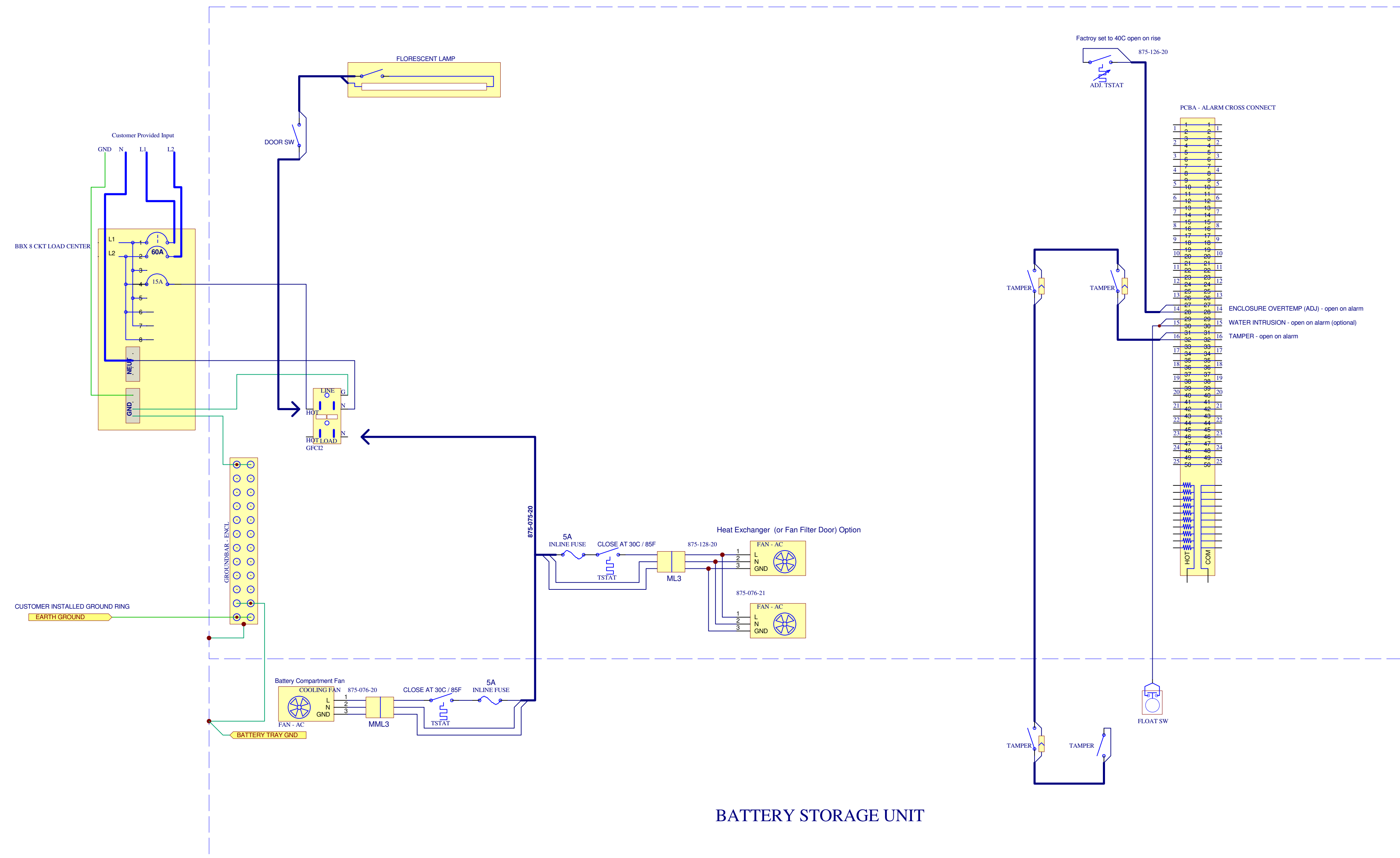
3. SYSTEMS WITH 1KW OR 1.8KW CORDEX RECTIFIER OPTIONS MAY REQUIRE AC GENERATOR INLET, TYPE IEC 309-2 WITH 60AMP MINIMUM BREAKER SIZE IF SYSTEM LOAD IS GREATER THEN 5KW.
2. WHEN A SEALED MINIBAY EQUIPMENT ENCLOSURE IS USED TO HOUSE BATTERY PACKS, BATTERIES MUST BE VALVE REGULATED AND PROVISIONS SHOULD BE MADE FOR ADIQUIT HYDROGEN VENTING.
1. LENGTH OF WIRES CAN BE CUT TO FIT IF REQUIRED. REMAKE TERMINATE USING THE SAME ALPHA WORKMANSHIP & PARTS.

NOTE: UNLESS SPECIFIED OTHERWISE

DRAWN D. JOHNSTON	5-15-06		ALPHA TECHNOLOGIES	
CHK				
ENGR D. JOHNSTON	5-15-06	TITLE: SCHEMATIC RADIUM MINIBAY SYSTEM		
MANUF		ISSUED DATE:	DRAWING NO: 044-001-05	REV: C
Q.A.		FILE REF: 04400105_C_W09.SCH	SIZE: D	SHEET 9 OF 12
PLOTTED ON: 25-May-2007 14:36:47		THESE DESIGNS & SPECIFICATIONS ARE THE PROPERTY OF ALPHA TECHNOLOGIES AND ARE CONFIDENTIAL AND PROPRIETARY. THE DRAWINGS SHALL NOT BE COPIED OR USED FOR ANY PURPOSE WITHOUT ITS WRITTEN CONSENT.		

EARTH GROUND TO CUSTOMER INSTALLED GROUND RING

PRIMARY ENCLOSURE



**RMB with 115VAC Heat Exchanger
(OR 115VAC Fan Filter) Door**

Model RMB with options:

- 1 Enclosures with 115VAC Heat Exchanger (or Fan Filter) Door
- Battery Riser
- 60A FBX 8-position Distribution
- Alarm Terminal Boards
- Enclosure Intrusion Sensors
- GFCI outlet & Enclosure Light
- Enclosure Roof Vent Kit

3. SYSTEMS WITH 1KW OR 1.8KW CORDEX RECTIFIER OPTIONS MAY REQUIRE AC GENERATOR INLET, TYPE IEC 309-2 WITH 60AMP MINIMUM BREAKER SIZE IF SYSTEM LOAD IS GREATER THEN 5KW.
2. WHEN A SEALED MINIBAY EQUIPMENT ENCLOSURE IS USED TO HOUSE BATTERY PACKS, BATTERIES MUST BE VALVE REGULATED AND PROVISIONS SHOULD BE MADE FOR ADIQUIT HYDROGEN VENTING.
1. LENGTH OF WIRES CAN BE CUT TO FIT IF REQUIRED. REMAKE TERMINATE USING THE SAME ALPHA WORKMANSHIP & PARTS.

NOTE: UNLESS SPECIFIED OTHERWISE

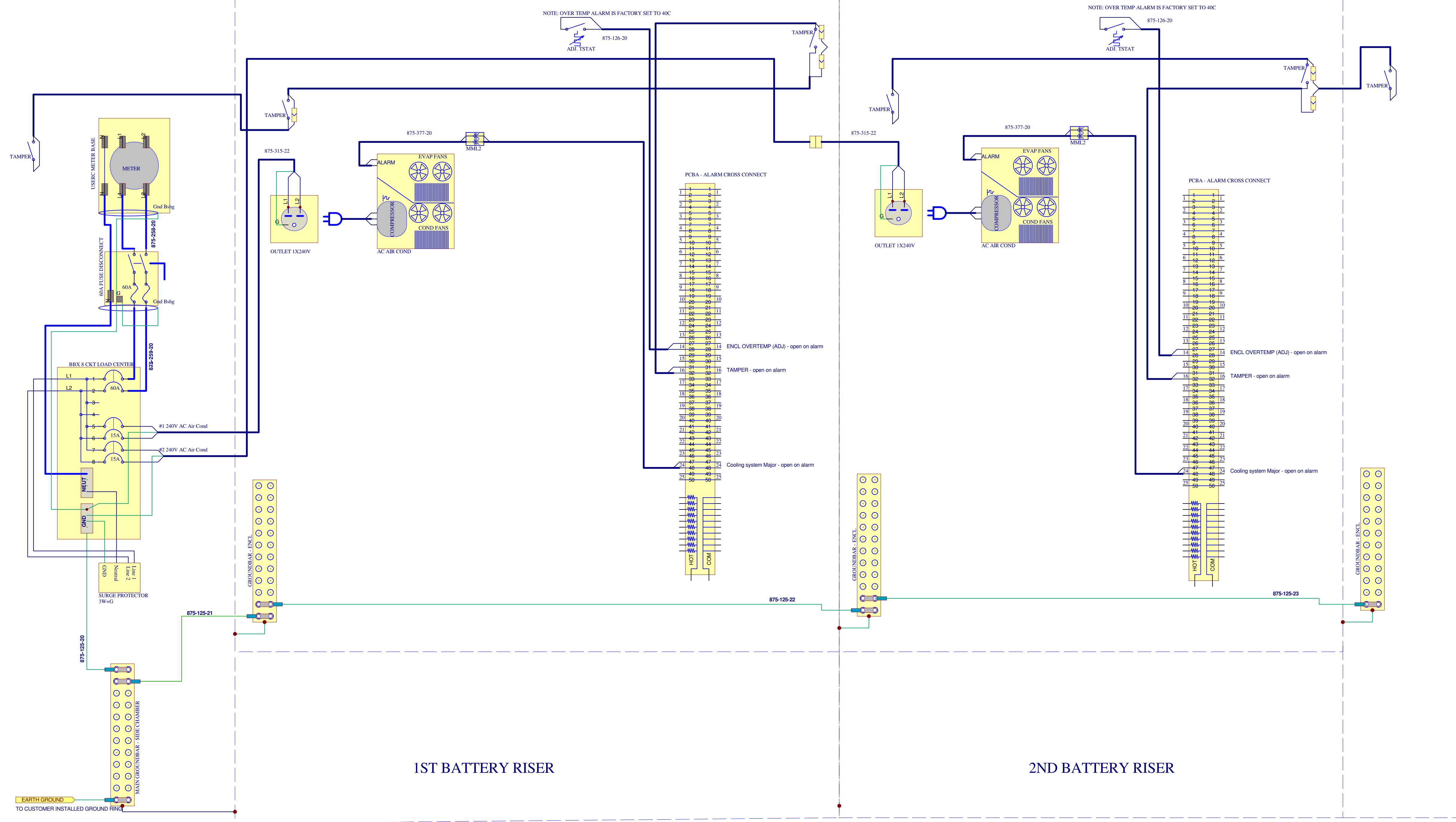
DRAWN	D. Johnston	5-15-06	 ALPHA TECHNOLOGIES
CHK			
ENGR	D. Johnston	5-15-06	
MANUF			
Q.A.			
PLOTTED ON: 25-May-2007 14:37:19			TITLE: SCHMATIC RADIUM MINIBAY SYSTEM
THESE DESIGNS & SPECIFICATIONS ARE THE PROPERTY OF ALPHA TECHNOLOGIES AND ARE CONFIDENTIAL AND PROPRIETARY. THE DRAWINGS SHALL NOT BE COPIED OR USED FOR ANY PURPOSE WITHOUT ITS WRITTEN CONSENT.			ISSUED DATE: DRAWING NO: 044-001-05
			REV: C
FILE REF: 04400105__c__W10.Sch			SIZE: D SHEET 10 OF 12

PRIMARY
SIDE CHAMBER

PRIMARY ENCLOSURE

SECONDARY ENCLOSURE

SECONDARY
SIDE CHAMBER



RMB with 240VAC Air Cond

- Model RMB with options:**
- Dual Enclosures with two 240VAC Air Cond Door
 - Dual Side Chambers
 - Dual Battery Riser
 - EUSERC Meter w/60A FBX 8-position Distribution
 - Surge Protector 3W+G
 - 2 Alarm Terminal Boards
 - Enclosure Intrusion Sensors
 - Fiber Management Panel
 - Enclosure Roof Vent Kit

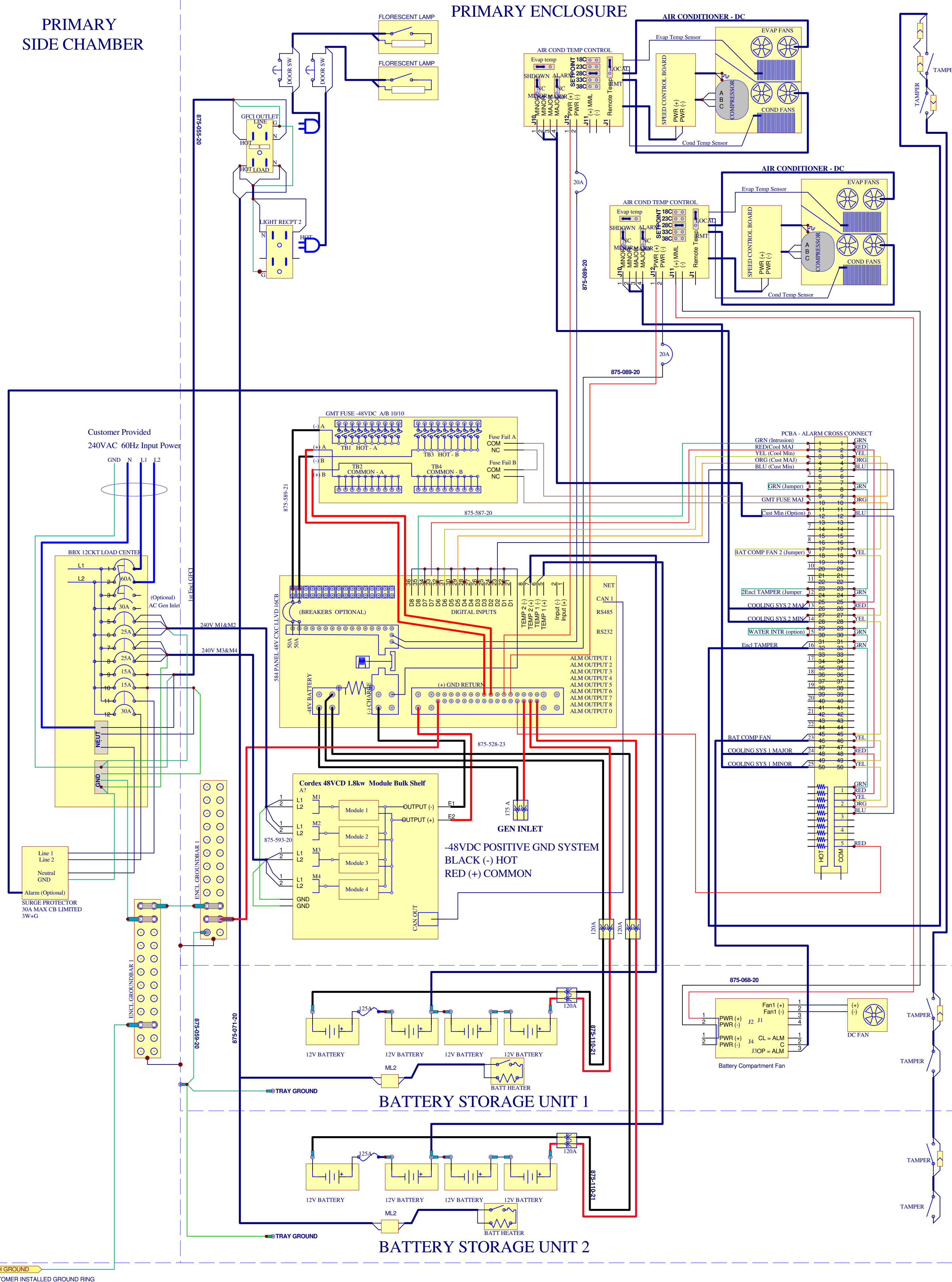
3. SYSTEMS WITH 1KW OR 1.8KW CORDEX RECTIFIER OPTIONS MAY REQUIRE AC GENERATOR INLET, TYPE IEC 309-2 WITH 60AMP MINIMUM BREAKER SIZE IF SYSTEM LOAD IS GREATER THEN 5KW.
2. WHEN A SEALED MINIBAY EQUIPMENT ENCLOSURE IS USED TO HOUSE BATTERY PACKS, BATTERIES MUST BE VALVE REGULATED AND PROVISIONS SHOULD BE MADE FOR ADIQUIT HYDROGEN VENTING.
1. LENGTH OF WIRES CAN BE CUT TO FIT IF REQUIRED. REMAKE TERMINATE USING THE SAME ALPHA WORKMANSHIP & PARTS.

NOTE: UNLESS SPECIFIED OTHERWISE

DRAWN	D. JOHNSTON	5-15-06	<p>ALPHA TECHNOLOGIES</p>
CHK			
ENGR	D. JOHNSTON	5-15-06	
MANUF			
Q.A.			
PLOTTED ON: 25-May-2007 14:38:06			TITLE: SCHEMATIC RADIUM MINI BAY SYSTEM
THESE DESIGNS & SPECIFICATIONS ARE THE PROPERTY OF ALPHA TECHNOLOGIES AND ARE CONFIDENTIAL AND PROPRIETARY. THE DRAWINGS SHALL NOT BE COPIED OR USED FOR ANY PURPOSE WITHOUT ITS WRITTEN CONSENT.			ISSUED DATE: DRAWING NO: 044-001-05
FILE REF: 04400105_c_W11.Sch			REV: C
SIZE: D			SHEET 11 OF 12

PRIMARY
SIDE CHAMBER

PRIMARY ENCLOSURE



CSB: RMB-48, 1.8K CORDEX with options:

- Enclosure with two 48VDC air cond doors
- Single Side Chamber
- Side chamber riser
- 2 Battery Storage Unit
- 12-Space AC Load Center
- Surge Protector 3W+G 30A Max CB Limited (Alarm Contact Option)
- 4 Module 1.8KW Cordex Shelf with Controller
- 584 CB DIST Panel with Load LVD, 16 BKR POS
- 120VAC 60Hz GFCI outlets
- 120VAC 60Hz Lights
- Enclosure Intrusion Sensors
- Enclosure Alarm Terminal Board
- GMT Fuse Panel A/B (Optional)
- AC Generator inlet (Optional)

3. SYSTEMS WITH 1KW OR 1.8KW CORDEX RECTIFIER OPTIONS MAY REQUIRE AC GENERATOR INLET, TYPE IEC 309-2 WITH 60AMP MINIMUM BREAKER SIZE IF SYSTEM LOAD IS GREATER THEN 5KW.
2. WHEN A SEALED MINIBAY EQUIPMENT ENCLOSURE IS USED TO HOUSE BATTERY PACKS, BATTERIES MUST BE VALVE REGULATED AND PROVISIONS SHOULD BE MADE FOR ADIQUIT HYDROGEN VENTING.
1. LENGTH OF WIRES CAN BE CUT TO FIT IF REQUIRED. REMAKE TERMINATE USING THE SAME ALPHA WORKMANSHIP & PARTS.

NOTE: UNLESS SPECIFIED OTHERWISE

DRAWN D. JOHNSTON	9-14-06		ALPHA TECHNOLOGIES	
CHK				
ENGR D. JOHNSTON	9-14-06	TITLE: SCHEMATIC RADIUM MINIBAY SYSTEM		
MANUF		ISSUED DATE:	DRAWING NO: 044-001-05	REV: C
Q.A.		FILE REF: 04400105_c_w12.sch	SIZE: D	SHEET 12 OF 12
PLOTTED ON: 25-May-2007 14:38:55		<small>THESE DESIGNS & SPECIFICATIONS ARE THE PROPERTY OF ALPHA TECHNOLOGIES AND ARE CONFIDENTIAL AND PROPRIETARY. THE DRAWINGS SHALL NOT BE COPIED OR USED FOR ANY PURPOSE WITHOUT ITS WRITTEN CONSENT.</small>		