

## Line Transfer Switch (LTS) Installation Instructions

Alpha's LTS Series of line transfer switches provide line transfer switching for cable TV and broadband networks. In the event of a utility grid power failure, the LTS automatically switches to a secondary power source. When used in conjunction with Alpha power supplies, the power supply provides backup power during transfer and no output interruption is experienced. Upon the return of the primary line power, the LTS transfers back to the primary power source. The LTS may be connected to a second utility source or may be used to switch between two phases of the same utility, providing backup power when one phase is out. Utilizing the second utility source reduces inverter operation and maintains battery reserves. Installation of the LTS is simple and can be added to most existing installations where multiple power grids are present.

Connect the LTS using the diagram on the following page that matches your application.

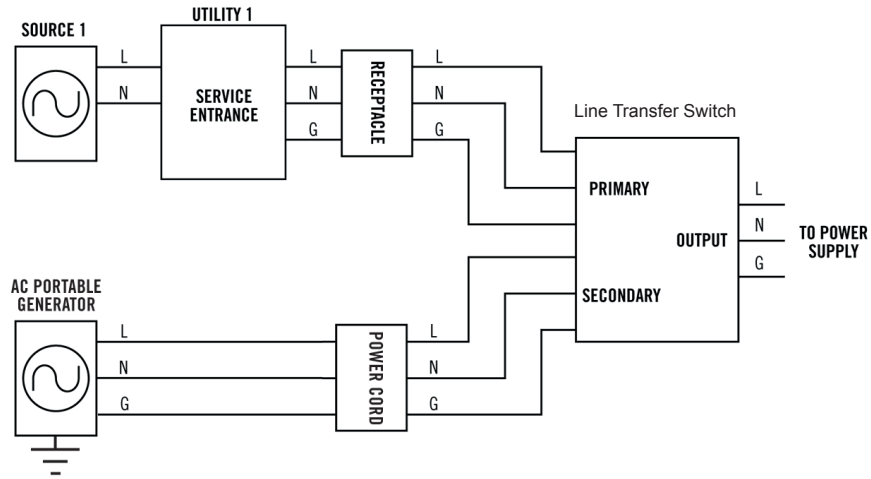


### WARNING!

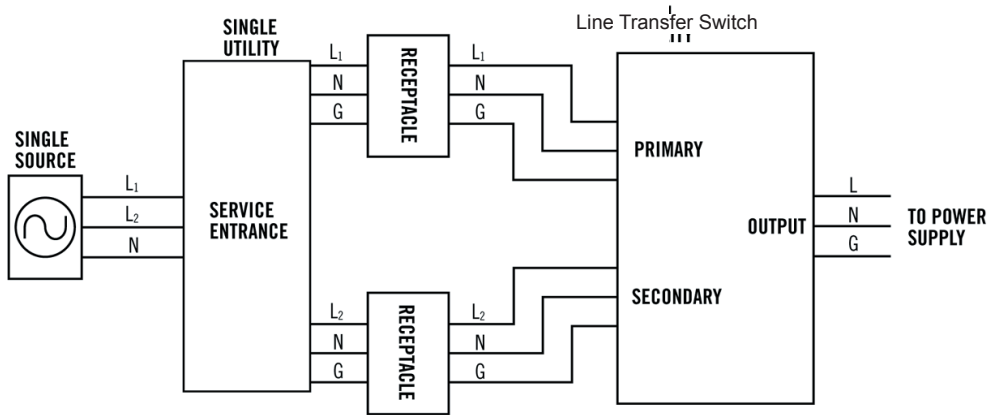
Hazardous voltage may be present. Improper installation of this device could result in electric shock, burns, or explosion. Do not use in an unapproved application.

Nominal Specifications	Model	
	LTS 120	LTS 240
Input Voltage	120V	240V
Current Rating	18A	12A
Operating Voltage Range	80-138V	156-253V
Low Voltage Trip Point	75-85Vac	140-160Vac
Part Number	745-945-20	745-945-21
Dimensions (in/mm)	3.1H x 5.0W x 5.6D 78H x 127W x 147D	3.1H x 5.0W x 5.6D 78H x 127W x 147D

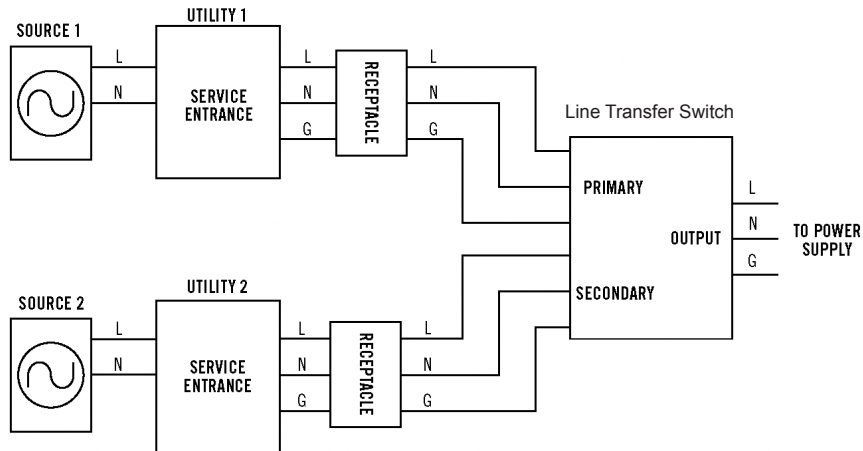
## Portable Generator Application



## Dual Phase Application



## Dual Grid Application



For more information visit [www.alpha.com](http://www.alpha.com)

United States Bellingham, Washington Tel: 360 647 2360 Fax: 360 671 4936  
 Canada Burnaby, British Columbia Tel: 604 430 1476 Fax: 604 430 8908